

# **FAIR-PLAY**

## **INDOOR SIGNS INSTRUCTION MANUAL**

**REVISION DATE: 03-26-2026**

**PART#: 98-0016-01**

# FAIR-PLAY

## SERVICE & CUSTOMER INFORMATION

CUSTOMER MUST HAVE PART NUMBER WHEN ORDERING ITEMS THROUGH THE SERVICE DEPARTMENT.

IF FURTHER HELP IS NEEDED CONTACT A FAIR-PLAY SERVICE REP IN YOUR FAIR-PLAY DEALER ORGANIZATION OR PHONE THE FAIR-PLAY HELP DESK AT (800) 462-2716.

TO AID YOU IN YOUR DISCUSSIONS WITH SERVICE REPS, WE SUGGEST THAT YOU RECORD THE FOLLOWING:

MODEL NUMBER: \_\_\_\_\_

FAIR-PLAY SALES ORDER NUMBER: \_\_\_\_\_  
(THIS NUMBER IS FOUND IN THE UPPER RIGHT-HAND CORNER OF THE PACKING SLIP AND INVOICE.)

INSTALLATION DATE: \_\_\_\_\_

**FAIR-PLAY SCOREBOARDS**

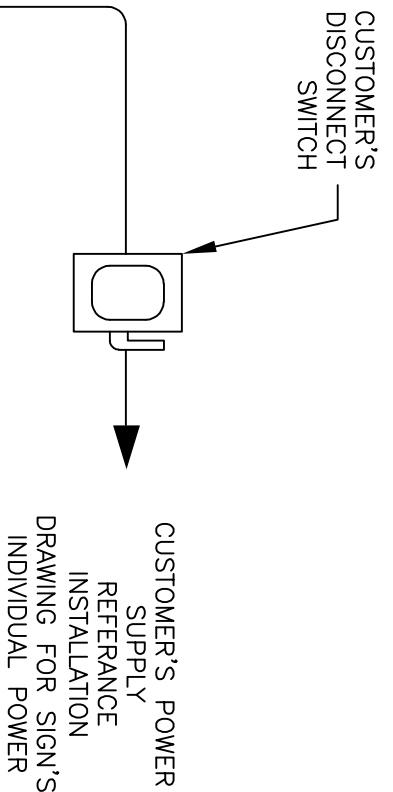
HAZELWOOD, MISSOURI

INSTRUCTION DRAWING LIST

**INDOOR SIGNS**

TABLE OF CONTENTS

<b>DESCRIPTION</b>	<b>DRAWING NUMBER</b>
TYPICAL ELETRICAL INSTALLATION.....	01-0017-01
PENDANT ASSEMBLY DETAILS.....	55-0000-05



**IMPORTANT SAFETY & OPERATING INSTRUCTIONS:**

1. SIGN POWER SUPPLY – THIS SIGN IS DESIGNED TO OPERATE FROM A 120 VAC SUPPLY. UNREASONABLE VOLTAGES CAN BE DAMAGING. (SEE LAMP LIFE – NOTE #4)
2. POWER WIRES SHOULD BE ROUTED IN SEPARATE CONDUIT FROM CONTROL CABLES.
3. LAMP LIFE – LAMP LIFE MAY BE REDUCED SIGNIFICANTLY WHEN CONDITIONS EXIST THAT CAUSE VIBRATION, KNOCKS, HIGH OPERATING VOLTAGE, OR HIGH OPERATING TEMPERATURES. INSTALL SIGN TO MINIMIZE THESE CONDITIONS.
4. VENTILATION: INSTALL PRODUCT SO THAT AIR FLOW IS NOT RESTRICTED. CUSTOMER'S STRUCTURE MUST ALLOW FOR THE FREE FLOW OF OUTSIDE AMBIENT AIR TO THE PRODUCT, WITHOUT RECIRCULATION OF AIR. WARRANTY WILL BE VOID IF COMPONENTS FAIL DUE TO AIR FLOW RESTRICTIONS.

**CUSTOMER APPROVAL:** MY SIGNATURE BELOW SIGNIFIES MY APPROVAL TO PROCEED WITH THE DESIGN WORK SPECIFIED HEREIN AND ACKNOWLEDGEMENT THAT I HAVE RECEIVED AND READ THE INSTALLATION SPECIFICATIONS CONTAINED IN FAIR-PLAY DOCUMENT NO. 01-0500-01. CONSULT YOUR FAIR-PLAY SALES ASSOCIATE IF YOU SHOULD HAVE ANY QUESTIONS OR REQUIRE ANY CHANGES TO THIS DOCUMENT.

PROJECT: \_\_\_\_\_ SIGNATURE: \_\_\_\_\_ DATE: \_\_\_\_\_

REFERENCE #: \_\_\_\_\_ PRINT NAME: \_\_\_\_\_

**FAIR-PLAY**

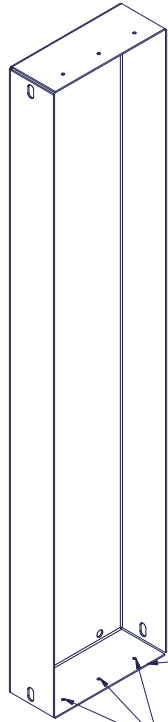
6110 AVATOR DRIVE  
HAZELWOOD, MO 63042

THIS DOCUMENT CONTAINS FAIR-PLAY PROPRIETARY INFORMATION. ANY DISCLOSURE, USE OR DUPLICATION OF THE DOCUMENT OR OF ANY INFORMATION CONTAINED THEREIN FOR OTHER THAN THE SPECIFIC PURPOSE FOR WHICH IT WAS DISCLOSED IS EXPRESSLY PROHIBITED, EXCEPT AS MAY BE OTHERWISE AGREED TO IN WRITING. COPYRIGHT 2019.

B	UPDATED TITLE BLOCK FORMAT	10-13-22	BEW	
A	ADDED VENTILATION NOTES	09-14-06	BEW	
OR	ORIGINAL RELEASE	03-20-00	BEW	
REV.#	CHANGE	DATE	BY	

TITLE ELECTRICAL INSTALLATION SCHEME FOR STANDARD INDOOR SIGNS	DRAWN BY BEW	DATE 03-20-00	SCALE FULL	MODEL: A	DWG. NO. 01-0017-01
---	-----------------	------------------	---------------	-------------	------------------------

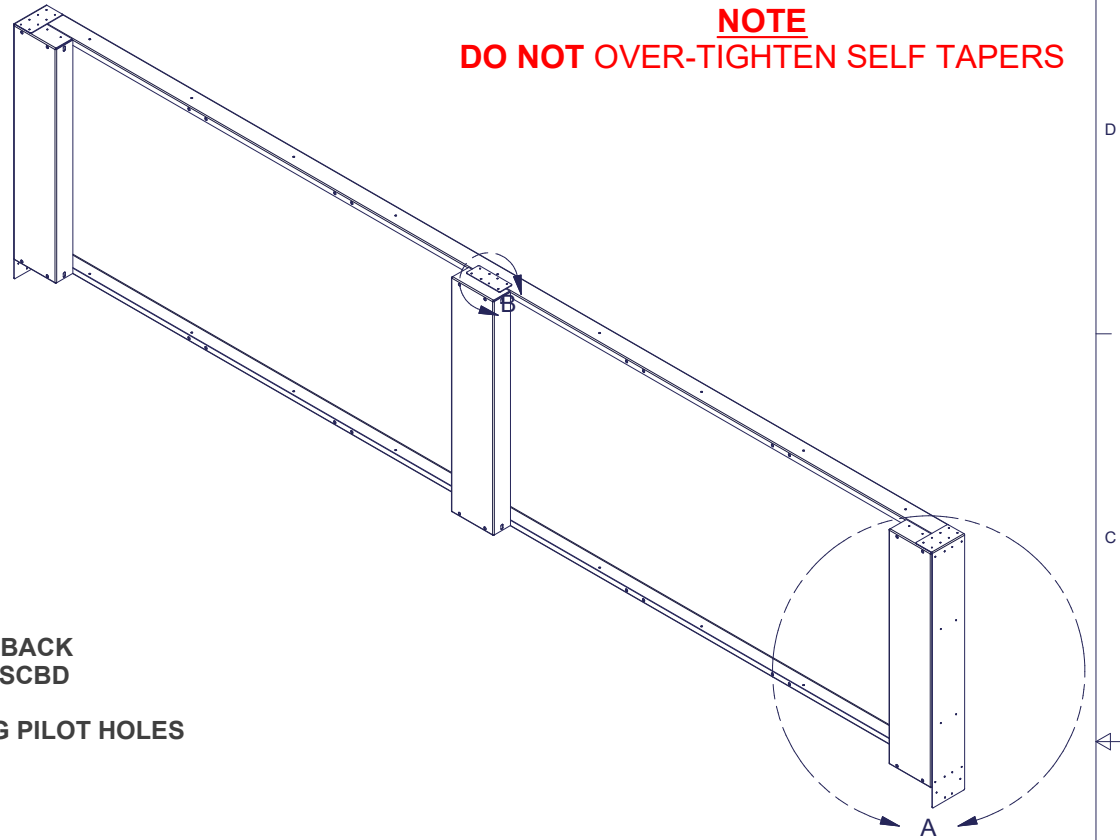
**STEP 1**



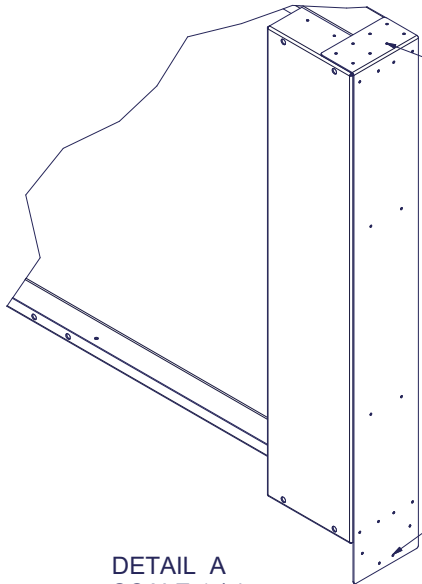
PLACE EDGE 2" BACK FROM FACE OF SCBD

ATTACH TO SCBD USING PILOT HOLES

**NOTE**  
**DO NOT OVER-TIGHTEN SELF TAPERS**



**STEP 2**

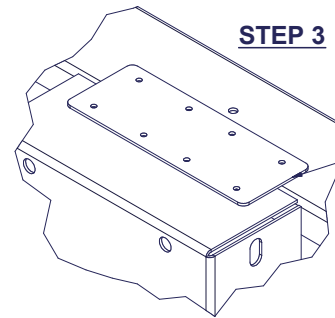


PLACE FACE PANEL ON TOP OF SCBD THEN ATTACH USING END BRACKET

ATTACH END BRACKET TO SCBD USING PILOT HOLES

DETAIL A  
SCALE 1 / 4

**STEP 3**

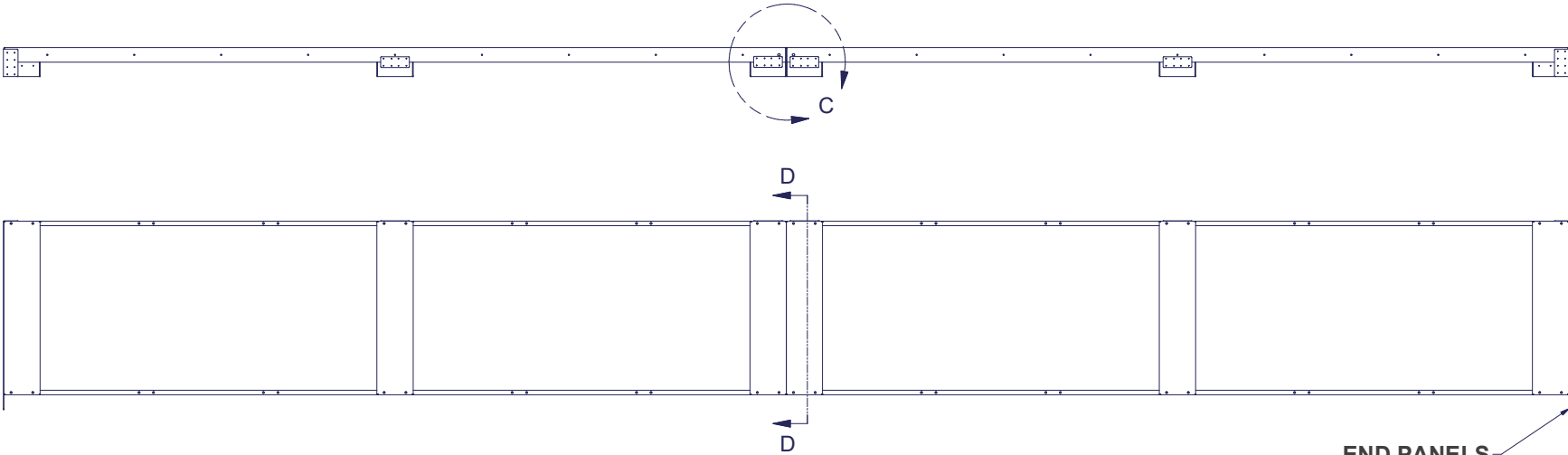


ATTACH MIDDLE BRACKET TO FACE USING SPLICE PLATE

DETAIL B  
SCALE 1 / 1.5

DRAWN jjohnson	3/19/2026	<b>FAIR-PLAY</b>	THIS DOCUMENT CONTAINS FAIR-PLAY PROPRIETARY INFORMATION. ANY DISCLOSURE, USE OR DUPLICATION OF THE DOCUMENT OR OF ANY INFORMATION CONTAINED THEREIN FOR OTHER THAN THE SPECIFIC PURPOSE FOR WHICH IT WAS DISCLOSED IS EXPRESSLY PROHIBITED, EXCEPT AS MAY BE OTHERWISE AGREED TO IN WRITING.	
CHECKED			TITLE	INDOOR PENDANT SIGN ASSEMBLY
QA		SIZE	DWG NO	REV
MFG		C	55-0000-05	
APPROVED		SCALE	SHEET 1 OF 2	

**ATTACHING SIGNS TOGETHER**

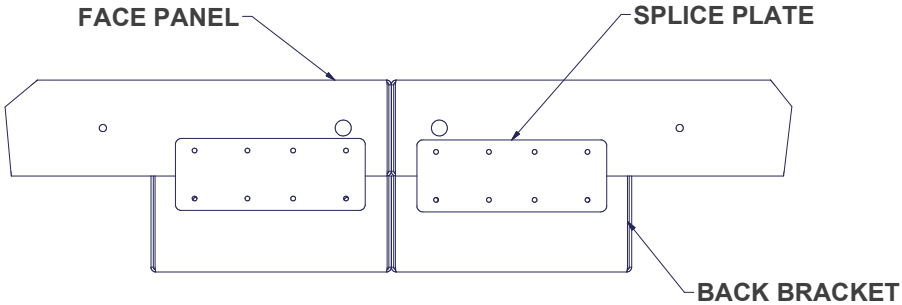


END PANELS



ATTACH USING  
1/4" HARDWARE

SECTION D-D  
SCALE 1 / 5



DETAIL C  
SCALE 1 / 2

1. DO NOT PUT END PANELS IN THE CENTER WHERE BOTH SIGNS ARE PLACED TOGETHER
2. ATTACH FACE PANELS TOGETHER USING 1/4" HARDWARE BEFORE BEING PLACED ON SCBD
3. ATTACH FACE PANEL AND BACK BRACKET USING SPICE PLATE AND SELF TAPERS AS SHOWN

DRAWN jjohnson	3/19/2026	<b>FAIR-PLAY</b>	THIS DOCUMENT CONTAINS FAIR-PLAY PROPRIETARY INFORMATION. ANY DISCLOSURE, USE OR DUPLICATION OF THE DOCUMENT OR OF ANY INFORMATION CONTAINED THEREIN FOR OTHER THAN THE SPECIFIC PURPOSE FOR WHICH IT WAS DISCLOSED IS EXPRESSLY PROHIBITED, EXCEPT AS MAY BE OTHERWISE AGREED TO IN WRITING.	
CHECKED				
QA		TITLE	INDOOR PENDANT SIGN ASSEMBLY	
MFG		SIZE	DWG NO	REV
APPROVED		C	55-0000-05	
		SCALE	SHEET 2 OF 2	