

CL-1050 ANALOG CLOCK

SIZE: 5'-0" DIA. CLOCK X 10"D

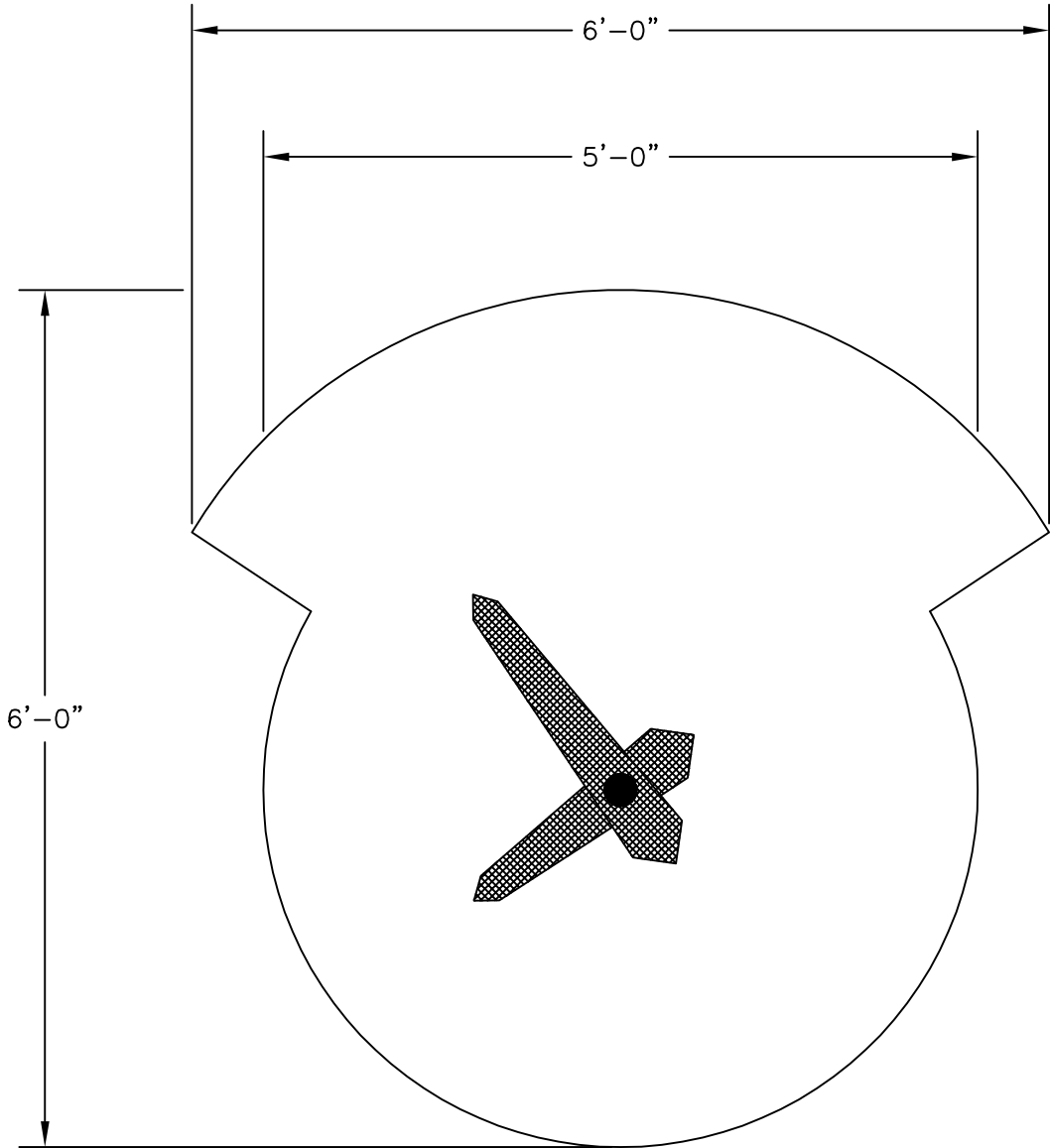
POWER: 120 VAC, 60 Hz., 1-PHASE
10 WATTS.

120 VAC AT THE CONTROL LOCATION.

CONTROL CONSOLE: Q-56-E080 RESET HAND SWITCH.
CONTROL CABLE: TWO CONDUCTOR SHIELDED.

ESTIMATED WEIGHT: 180 LBS.

GENERAL NOTES:
* REFERENCE 01-0500-01 FOR INSTALLATION NOTES.
* POWER REQUIREMENTS ARE VALID FOR 90 DAYS AFTER THE ORIGINAL
RELEASE OR BY THE MOST RECENT REVISION OF THE DRAWING.



CL-1050

| | | | |
|--------------------|-------------|--|--|
| CUSTOMER APPROVAL: | | MY SIGNATURE BELOW SIGNIFIES MY APPROVAL TO PROCEED WITH THE DESIGN WORK SPECIFIED HEREIN AND ACKNOWLEDGEMENT THAT I HAVE RECEIVED AND READ THE INSTALLATION SPECIFICATIONS CONTAINED IN FAIR-PLAY DOCUMENT NO. 01-0500-01. CONSULT YOUR FAIR-PLAY SALES ASSOCIATE IF YOU SHOULD HAVE ANY QUESTIONS OR REQUIRE ANY CHANGES TO THIS DOCUMENT. | |
| PROJECT: | SIGNATURE: | DATE: | |
| REFERENCE #: | PRINT NAME: | | |

| | | | | |
|---|---|--------------|----------|---------|
| FAIR-PLAY | THIS DOCUMENT CONTAINS FAIR-PLAY PROPRIETARY INFORMATION. ANY DISCLOSURE, USE OR DUPLICATION OF THE DOCUMENT OR OF ANY INFORMATION CONTAINED THEREIN FOR OTHER THAN THE SPECIFIC PURPOSE FOR WHICH IT WAS DISCLOSED IS EXPRESSLY PROHIBITED, EXCEPT AS MAY BE OTHERWISE AGREED TO IN WRITING. COPYRIGHT 2022. | | | |
| | TITLE | DRAWN BY | MODEL | |
| | FACE VIEW FOR CL-1050 | BEW | B | CL-1050 |
| | | DATE | DWG. NO. | |
| 6110 AVIATOR DRIVE HAZELWOOD, MO 63042 | 06-27-12 | 01-1050-01-1 | | |
| | SCALE | | | |
| | 3/4"=1'-0" | | | |

| REV.# | CHANGE | DATE | BY |
|-------|----------------------------|----------|-----|
| B | UPDATED CABINET DESIGN | 01-24-24 | BEW |
| A | UPDATED TITLE BLOCK FORMAT | 03-20-23 | BEW |
| OR | ORIGINAL RELEASE | 06-27-12 | BEW |