

CL-1284-4

SIZE: 1'-10" L X 8 1/4" H X 4" D

POWER: 120 VAC, 60 Hz., 1-PHASE
16 WATTS.

CONTROL CONSOLE: MP-70 SERIES CONTROLLER, OR
MP-80 SERIES CONTROL.

CONTROL CABLE: 22GA 2-WIRE SHIELDED.
(IF WIRELESS ORDERED, CABLE NOT REQ'D.)

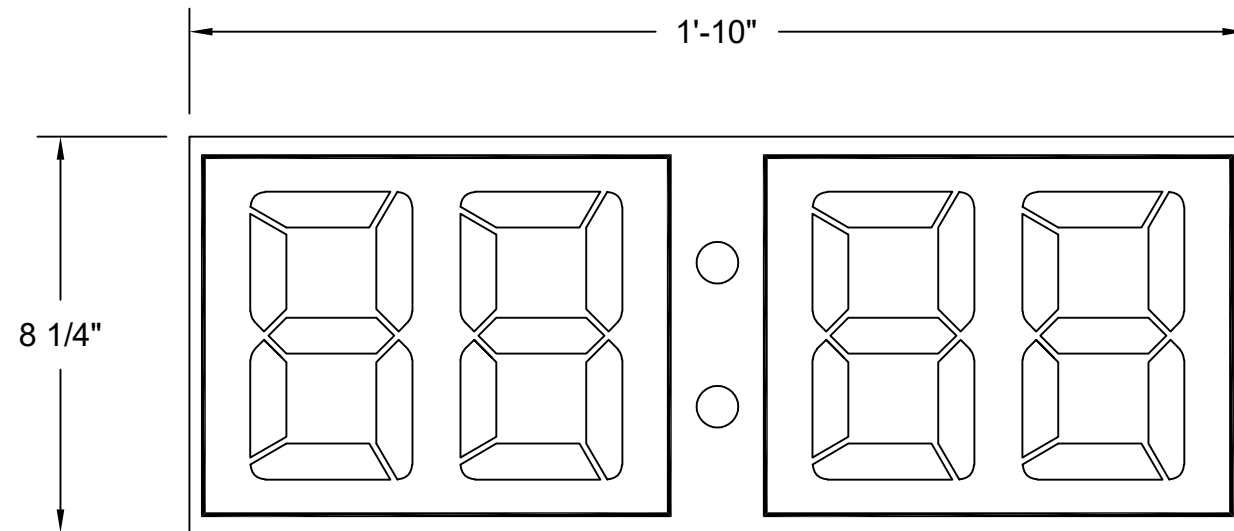
LEDs: AMBER LED.

ESTIMATED WEIGHT: 10 LBS.

GENERAL NOTES:

* REFERENCE 01-0500-01 FOR INSTALLATION NOTES.

* POWER REQUIREMENTS ARE VALID FOR 90 DAYS AFTER THE ORIGINAL
RELEASE OR BY THE MOST RECENT REVISION OF THE DRAWING.



CL-1284-4

CUSTOMER APPROVAL:		MY SIGNATURE BELOW SIGNIFIES MY APPROVAL TO PROCEED WITH THE DESIGN WORK SPECIFIED HEREIN AND ACKNOWLEDGEMENT THAT I HAVE RECEIVED AND READ THE INSTALLATION SPECIFICATIONS CONTAINED IN FAIR-PLAY DOCUMENT NO. 01-0500-01. CONSULT YOUR FAIR-PLAY SALES ASSOCIATE IF YOU SHOULD HAVE ANY QUESTIONS OR REQUIRE ANY CHANGES TO THIS DOCUMENT.	
PROJECT:	SIGNATURE:	DATE:	
REFERENCE #:	PRINT NAME:		

FAIR-PLAY	THIS DOCUMENT CONTAINS FAIR-PLAY PROPRIETARY INFORMATION. ANY DISCLOSURE, USE OR DUPLICATION OF THE DOCUMENT OR OF ANY INFORMATION CONTAINED THEREIN FOR OTHER THAN THE SPECIFIC PURPOSE FOR WHICH IT WAS DISCLOSED IS EXPRESSLY PROHIBITED, EXCEPT AS MAY BE OTHERWISE AGREED TO IN WRITING. COPYRIGHT 2022.			
	TITLE	DRAWN BY	MODEL	
	FACE VIEW FOR CL-1284-4	BEW	B	CL-1284-4
		DATE	DWG. NO.	
6110 AVIATOR DRIVE HAZELWOOD, MO 63042	11-28-11	01-1284-01-1		
	SCALE			
	1/4"=1"			

REV.#	CHANGE	DATE	BY
B	UPDATED TITLE BLOCK FORMAT	03-20-23	BEW
A	UPDATED TITLE BLOCK, ADDED MP-80 CONTROL	04-18-17	BEW
OR	ORIGINAL RELEASE	11-28-11	BEW