

# FAIR-PLAY



## INDOOR SPORTS

## COURT SIDE TABLE INSTALLATION RECOMMENDATIONS

98-0001-24 • REV 21.03.03

## **INSTALL RECOMMENDATIONS DISCLAIMER**

The suggestions and recommendation within this document are intended as a guide for the installation of Fair-Play Court Side Table (CST). While Fair-Play believes the instructions contained herein are accurate and correct, Fair-Play does not warrant the accuracy or correctness of such instructions and there are no warranties, expressed or implied and not limited to any warranties of merchantability of fitness for a particular purpose.

In no event shall Fair-Play be liable to dealer or its customer for any indirect, special or consequential damages or lost profits arising out of or related to this sale or the performance or breach thereof even if Fair-Play has been advised of the possibility thereof. Fair-Play's liability to dealer, if any, in connection with this sale shall in no event exceed the total amount paid by dealer for the CST furnished by Fair-Play.

The installation of a Fair-Play CST is the responsibility of others. Fair-Play assumes no responsibility for the design or construction of the installation. Fair-Play highly recommends that a professional engineer, appropriately licensed in the area, review and approve the installation. All field testing, construction, welding, and electrical work should be performed by appropriately trained and licensed personnel.

These installation recommendations are subject to change without notice.

***WARNING: Incorrect installation may permanently damage the Court Side Table and void the warranty. Fair-Play assumes no responsibilities for installations done by others.***

## **COPYRIGHT**

This document contains Fair-Play proprietary information. Any disclosure, use or duplication of the document or of any information contained therein for other than the specific purpose for which it was disclosed is expressly prohibited, except as may be otherwise agreed to in writing. Copyright ©2021.

# TABLE OF CONTENTS

- SAFETY & VENTILATION REQUIREMENTS.....1**
  - Safety ..... 1
  - Ventilation ..... 1
- COURT SIDE TABLE PLACEMENT.....2**
  - Latching Multiple Tables ..... 3
  - Folding Table Top ..... 4
    - Flip-Up Position ..... 4
    - Flip-Down Position ..... 4
  - Power & Data ..... 5
    - Wiring Requirements ..... 5
    - Power ..... 5
      - Power Junction Box ..... 5
      - Fused Disconnect ..... 5
      - 208 VAC 3-Phase 30 Amp ..... 6
      - 120 VAC 1-Phase 30 Amp ..... 7
      - 120 VAC 1-Phase 15 Amp ..... 8
      - Ground Wire..... 9
  - LED Display Data In..... 9
    - Conduit & Junction Box ..... 9
    - Plug-In Port ..... 9
    - LED Video Display Control ..... 9
  - Scoreboard Control Data In..... 9

[This page is intentionally left blank]

# SAFETY & VENTILATION REQUIREMENTS

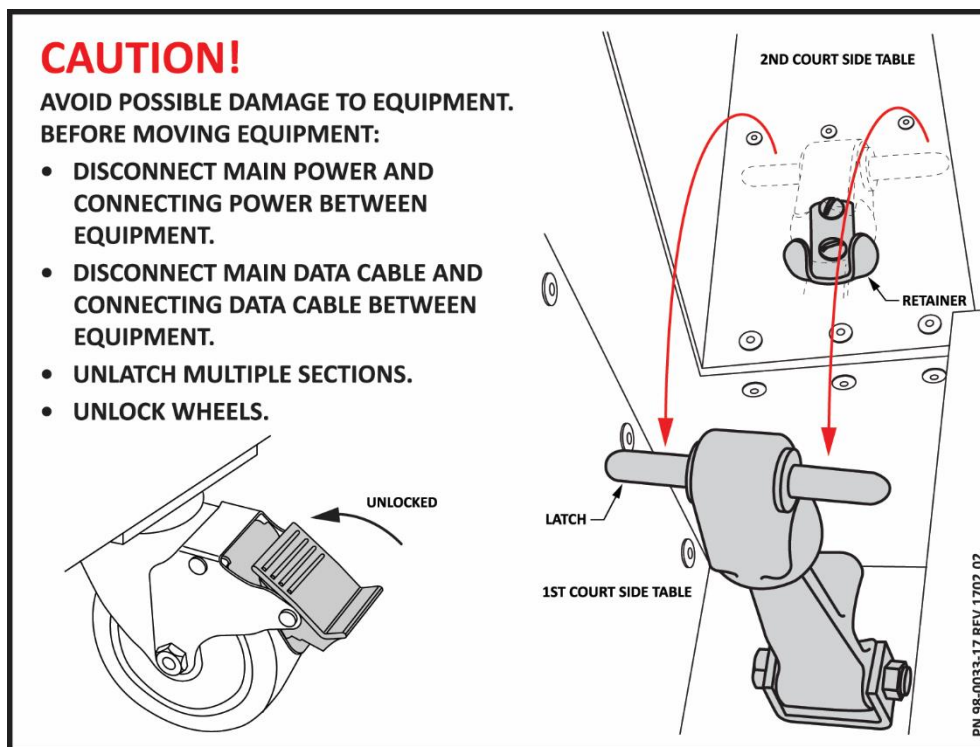
## SAFETY

- Comply with all applicable city, county, state and federal laws and regulations adopted pursuant thereto.
- Provide all measures necessary to protect the workmen and other persons during construction. Provide all necessary measures to avoid excessive stresses and to hold the structural elements in place during construction. Such measures shall include, but not be limited to, bracing; shoring for construction equipment; scaffolding; safety nets; support and bracing for cranes and hoists; guying, etc.

## VENTILATION

- Install the CST so that air flow is not restricted. Customer's structure must allow for the free flow of outside ambient air to the product, without recirculation of air from outlet vent to inlet vent.
- Warranty will be void if components fail due to air flow restrictions.

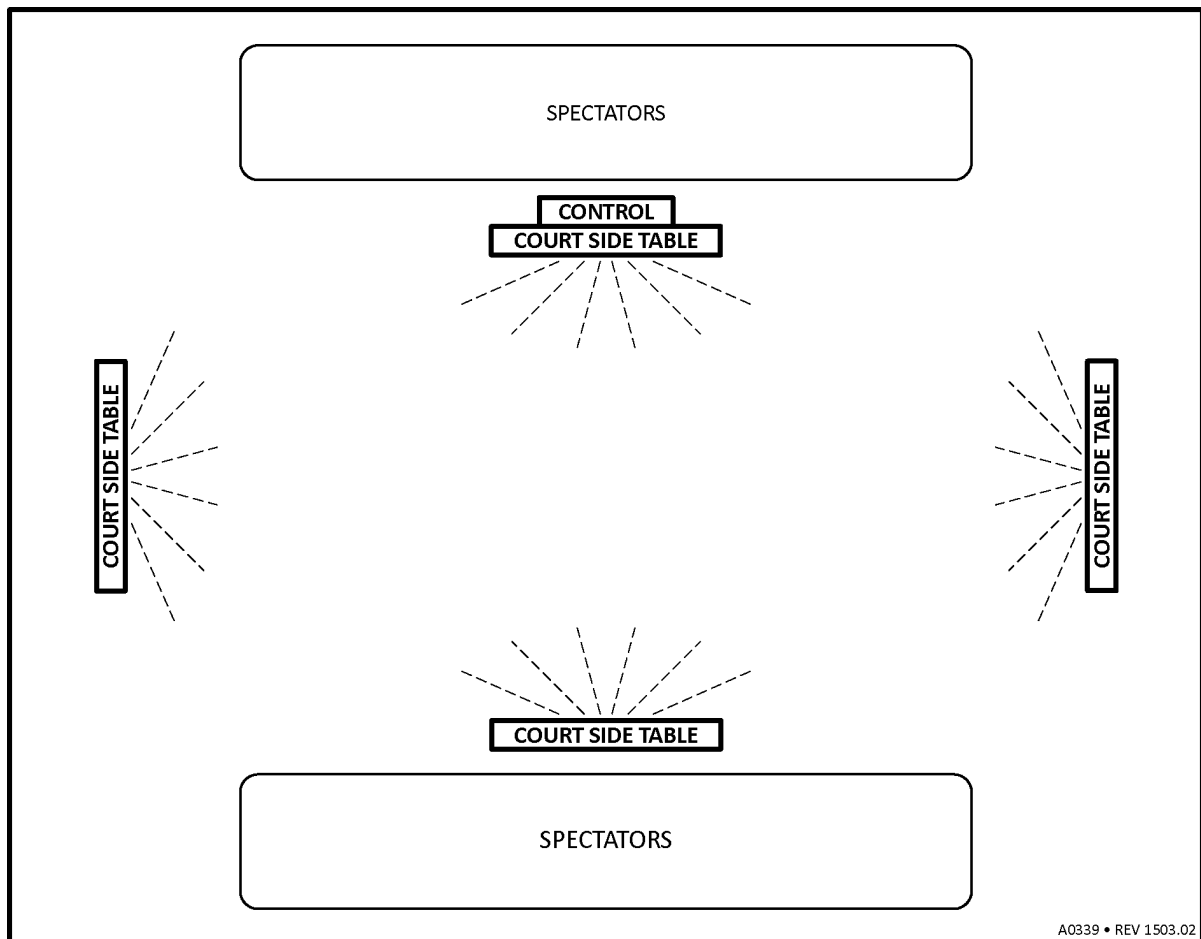
**CAUTION!** To avoid possible damage to equipment, disconnect power and data, connecting power and data between sections, unlatch all sections, and unlock wheels prior to moving and storage.



## COURT SIDE TABLE PLACEMENT

The following instructions apply only to Court Side Tables.

- The Court Side Table display and optional sign must be positioned so that the spectators see what is being displayed.
- The control must be located such that the scorekeeper or control operator can monitor the event and what is being displayed. See **Figure 1** below.
- Court Side Tables are equipped with wheel casters so that they can be pushed from storage into position during an event. It is not designed to be lifted into position.



**FIGURE 1 — PLACEMENT OF COURT SIDE TABLE AND CONTROL**

## LATCHING MULTIPLE TABLES



- Multiple table sections must be:
  - Installed end-to-end in the correct order.
  - Latched securely. See Figure 2.
  - Wheel casters in locked position. See Figure 3.

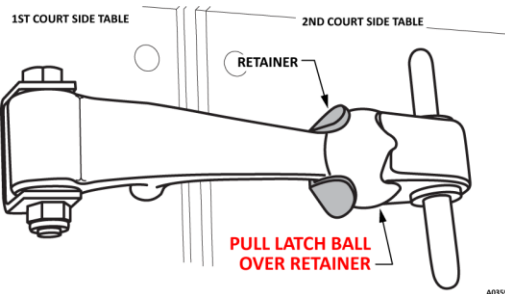


FIGURE 2 — LATCHING MULTIPLE TABLES

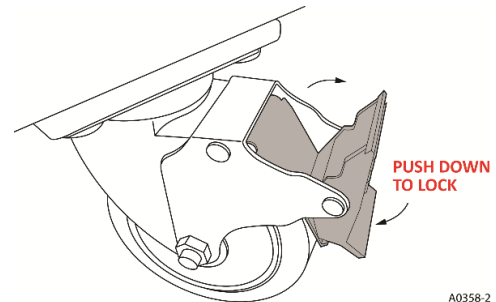


FIGURE 3 — CASTERS IN LOCK POSITION

- All data cable wires and power must be routed and reconnected to operate all sections. Refer to on page 5.

**CAUTION!** *To avoid possible damage to equipment, disconnect power and data, connecting power and data between sections, unlatch all sections, and unlock wheels prior to moving and storage.*

## FOLDING TABLE TOP

The Table Top can be adjusted to its fold-down position for storage or flip-up for use during an event.

**CAUTION!** To avoid possible damage to table top, swing the table top in in the fold-down position when moving or when placing it in storage.

### FLIP-UP POSITION

Swing the table top to its flip-up position and allow all locking support brackets to lock.

### FLIP-DOWN POSITION

The following will require at least two persons to perform.

Press all of the support bracket locks simultaneously while lifting up the edge of the table top, and then allow the table to swing down gently to its fold-down position.

Refer to Figure 5 below and Figure 4 at right.

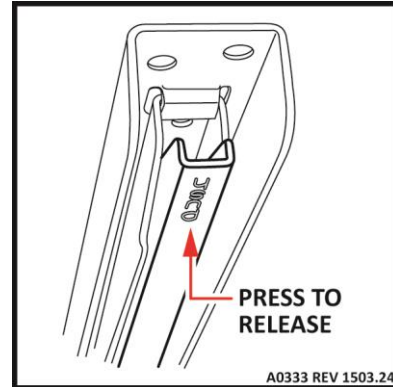


FIGURE 4 — SUPPORT BRACKET LOCK RELEASE (17" WIDE TABLE TOPS)

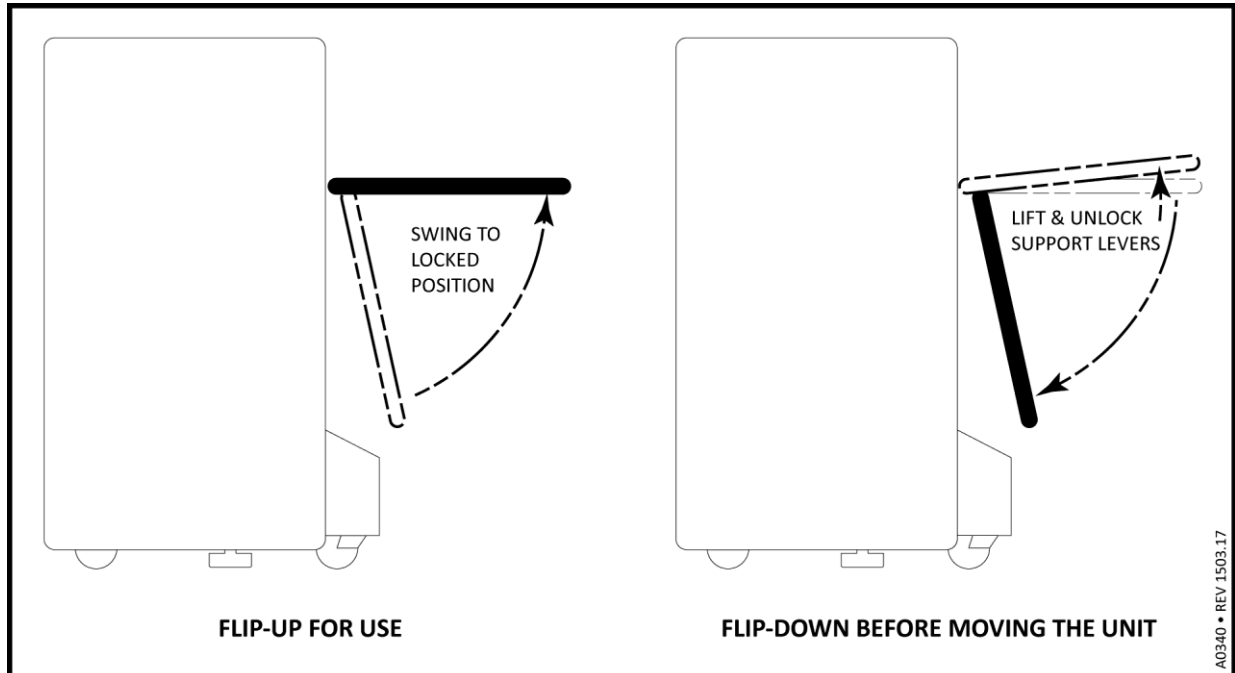


FIGURE 5 — FOLDING TABLE TOP



---

## POWER & DATA

### WIRING REQUIREMENTS

- Electrical load requirements are stated on the ID label installed on the back of the CST near the power plug.
- Refer to wiring diagram supplied with your equipment.
- Final connections are to be completed after Court Side Tables are placed in position for the event.
- Final connections must be performed by a qualified electrician or service technician.
- Routing of field installed power and data cables inside the product must be done so that access to hinged power supply doors, modules, breaker cabinets or other components is not inhibited.

**WARNING:** *Make sure power source is disconnected. Do not make final connections with live power. Failure to do so could result in serious injury or death caused by electrocution.*

### POWER

- Provide a dedicated power circuit to the CST.
- All electrical hookup meets local building codes including breaker sizing and grounding. Wire size should be determined by a local electrician typically determined by both load and wire lengths.
- The power wires from the main service disconnect to the fused disconnect must contain an earth ground conductor. Refer to **Ground Wire** on page 9.
- Install a line filter, surge protector, or UPS (uninterruptible power supply) in areas of poor power quality.
- Data cables and power cables are to be routed in separate conduits.

### POWER JUNCTION BOX

- The customer must provide a power junction box and outlets within easy access.

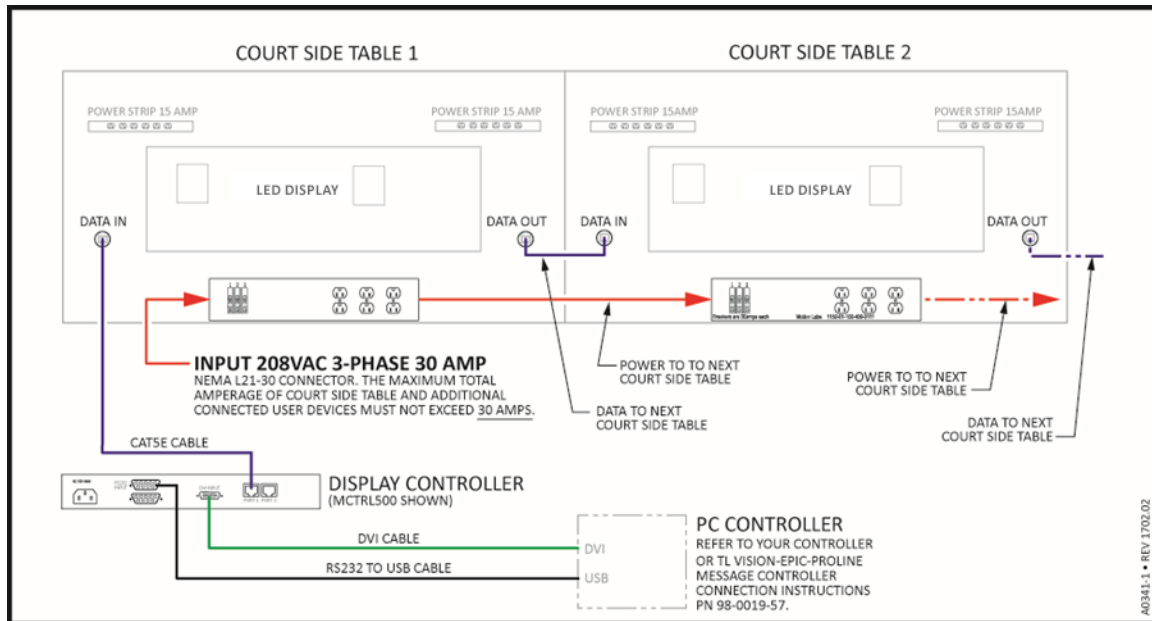
### FUSED DISCONNECT

- The customer must provide a fused disconnect for the CST that is easily accessible and is within sight of the CST. Refer to **Figure 6** on page 6.

## COURT SIDE TABLE

### 208 VAC 3-PHASE 30 AMP

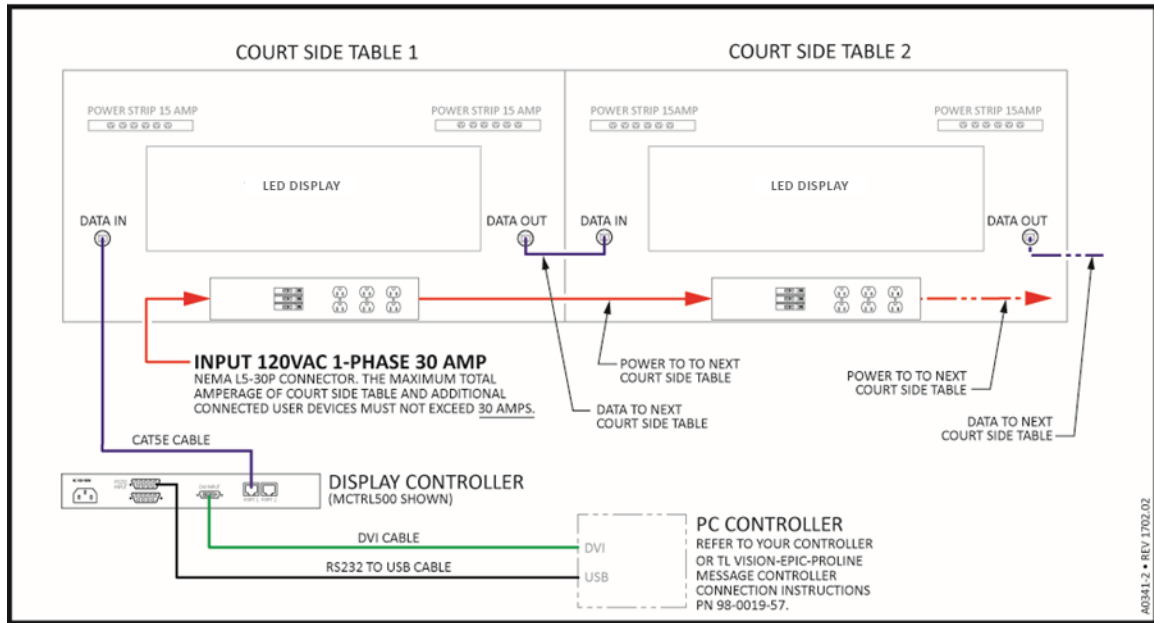
- A power cable with plug is provided on the rear of the CST. It must be connected to a 208Y/120VAC 3-Phase Nema L21-30 grounded receptacle.
- The total power required is listed on the identification label located on the back of the CST. The maximum total amperage of the court side table, connected (court side table) sections, and other additional devices such as controllers, laptops, phone chargers, etc. must not exceed 30 Amps.



• FIGURE 6 — 208VAC 30A POWER AND CONTROL CONNECTIONS

**120 VAC 1-PHASE 30 AMP**

- A power cable with plug is provided on the rear of the CST. It must be connected to a 120VAC 1-Phase Nema L5-30 grounded receptacle.
- Total power required is listed on the identification label located on the back of the CST. The maximum total amperage of the court side table and connected (court side table) sections and other additional devices such as controllers, laptops, phone chargers, etc. must not exceed 30 Amps.



**FIGURE 7 — 120VAC 30A POWER AND CONTROL CONNECTIONS**

## COURT SIDE TABLE

### 120 VAC 1-PHASE 15 AMP

- A standard 120 VAC plug located on the center back of the unit must be plugged to a standard 120 VAC grounded outlet.
- Total power required is listed on the identification label located on the back of the CST. The maximum total amperage of the court side table and other additional connected devices such as controllers, laptops, phone chargers, etc. must not exceed 15 Amps.

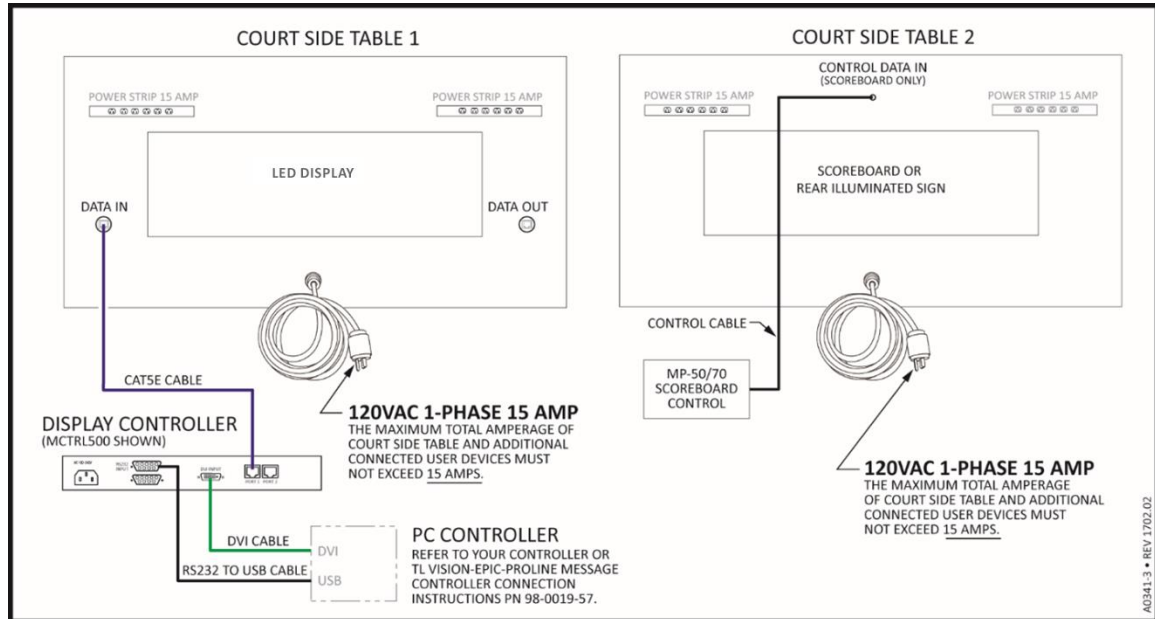
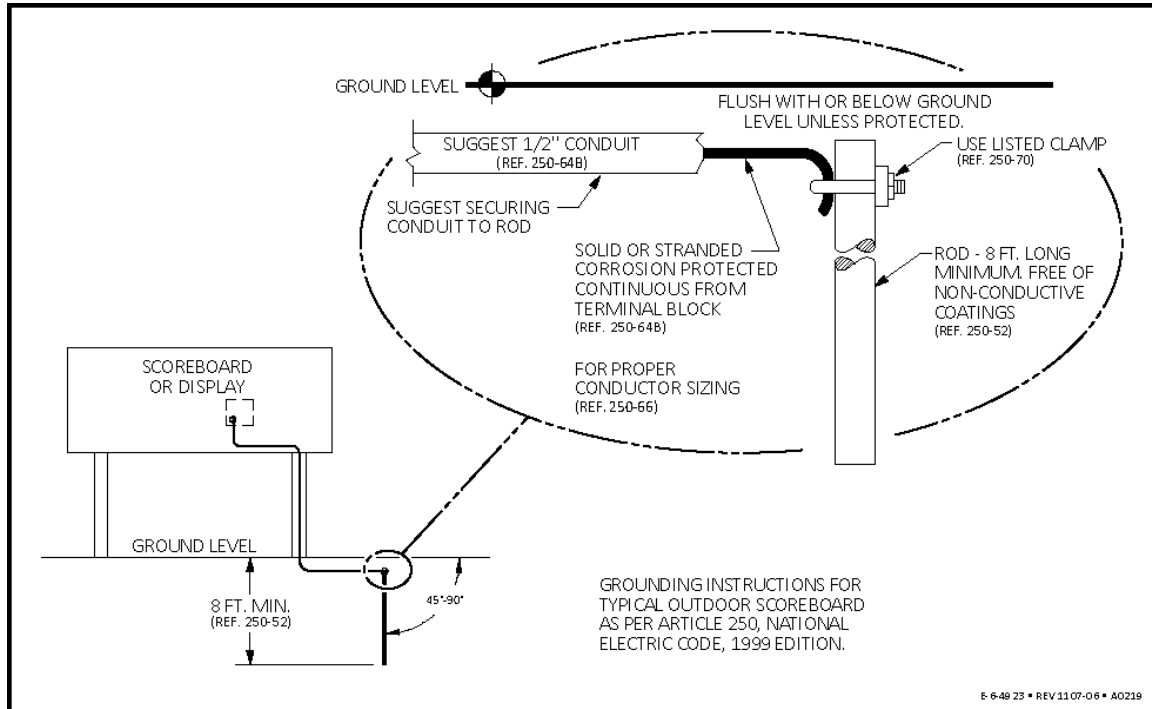


FIGURE 8 — 120VAC 15A POWER CONNECTION

**GROUND WIRE**

- The proper grounding of the electrical circuits and the CST is an important aspect of an installation to ensure reliable operation, reduce potential lightning damage and for safety. Refer to Figure 9 below and to Article 250.56 and 600 of the National Electric Code, and ANSI/IEEE 142-1.6.6.

**FIGURE 9 — TYPICAL GROUND WIRE CONNECTION****LED DISPLAY DATA IN****CONDUIT & JUNCTION BOX**

If the control is of considerable distance from the CST, we recommend that the data cable be installed in 1/2" conduit or larger and a junction box for mechanical protection.

**PLUG-IN PORT**

Located on the rear of the CST is the CAT5 or fiber optic DATA-IN plug-in port depending upon what the customer ordered.

If fiber optic, then connect the fiber optic cables (supplied by customer) to the TX and RX ports.

**LED VIDEO DISPLAY CONTROL**

Refer to the documentation for your control or refer to TL Vision-Epic-ProLine Message Controller Connection Instructions PN 98-0019-57. Also refer to **Figure 6** on page 6.

**SCOREBOARD CONTROL DATA IN**

Connect the MP-50/70 Series controller to the Control Data In port located on the top rear of the Court Side Table. See also **Figure 8** on page 8.