

CL-1450-4

SIZE: 2'-0"L X 1'-0"H X 4"D

POWER: 120 VAC, 60 Hz., 1-PHASE
18 WATTS.

120 VAC AT THE CONTROL LOCATION.

CONTROL CONSOLE: MP-70 SERIES CONTROLLER.

CONTROL CABLE: 22GA 2-WIRE SHIELDED.

(IF WIRELESS ORDERED, CABLE NOT REQ'D.)

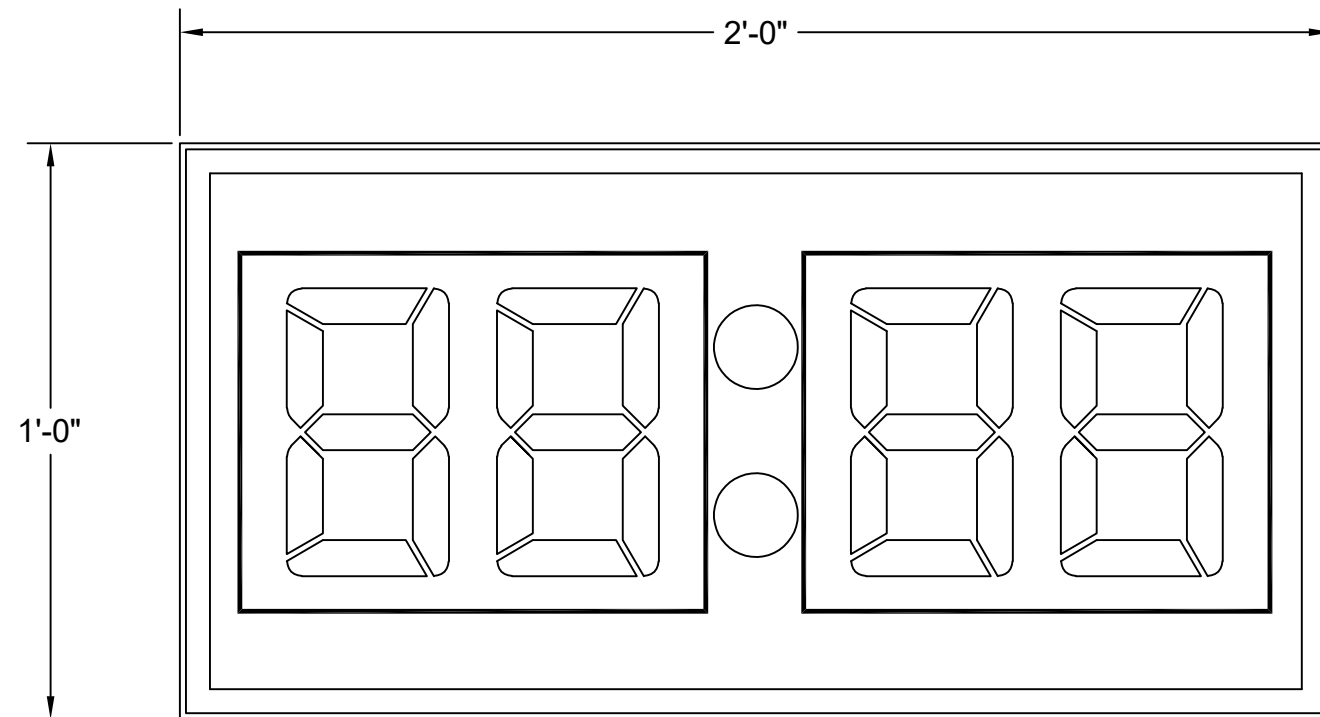
LEDs: AMBER LED.

ESTIMATED WEIGHT: 10 LBS.

GENERAL NOTES:

* REFERENCE 01-0500-01 FOR INSTALLATION NOTES.

* POWER REQUIREMENTS ARE VALID FOR 90 DAYS AFTER THE ORIGINAL
RELEASE OR BY THE MOST RECENT REVISION OF THE DRAWING.



CL-1450-4
TIME OF DAY/LOCKER ROOM CLOCK

CUSTOMER APPROVAL:		MY SIGNATURE BELOW SIGNIFIES MY APPROVAL TO PROCEED WITH THE DESIGN WORK SPECIFIED HEREIN AND ACKNOWLEDGEMENT THAT I HAVE RECEIVED AND READ THE INSTALLATION SPECIFICATIONS CONTAINED IN FAIR-PLAY DOCUMENT NO. 01-0500-01. CONSULT YOUR FAIR-PLAY SALES ASSOCIATE IF YOU SHOULD HAVE ANY QUESTIONS OR REQUIRE ANY CHANGES TO THIS DOCUMENT.	
PROJECT:	SIGNATURE:	DATE:	
REFERENCE #:	PRINT NAME:		

REV.#	CHANGE	DATE	BY
E	UPDATED TITLE BLOCK FORMAT	11-30-22	BEW
D	ADDED LIT COLON, UPDATED TITLE BLOCK	09-18-17	BEW
C	GENERAL UPDATES, POWER NOTE	01-11-12	BEW
B	GENERAL UPDATES, DWG FORMAT	04-25-11	BEW
A	GENERAL UPDATES	11-09-07	BEW
OR	ORIGINAL RELEASE	03-17-03	BEW

FAIR-PLAY 6110 AVIATOR DRIVE HAZELWOOD, MO 63042	THIS DOCUMENT CONTAINS FAIR-PLAY PROPRIETARY INFORMATION. ANY DISCLOSURE, USE OR DUPLICATION OF THE DOCUMENT OR OF ANY INFORMATION CONTAINED THEREIN FOR OTHER THAN THE SPECIFIC PURPOSE FOR WHICH IT WAS DISCLOSED IS EXPRESSLY PROHIBITED, EXCEPT AS MAY BE OTHERWISE AGREED TO IN WRITING. COPYRIGHT 2022.		
	TITLE FACE VIEW FOR CL-1450-4, LIT COLON	DRAWN BY BEW	MODEL CL-1450-4
	DATE 03-17-03	SCALE 1/2"=1"	DWG. NO. 01-1450-07-1