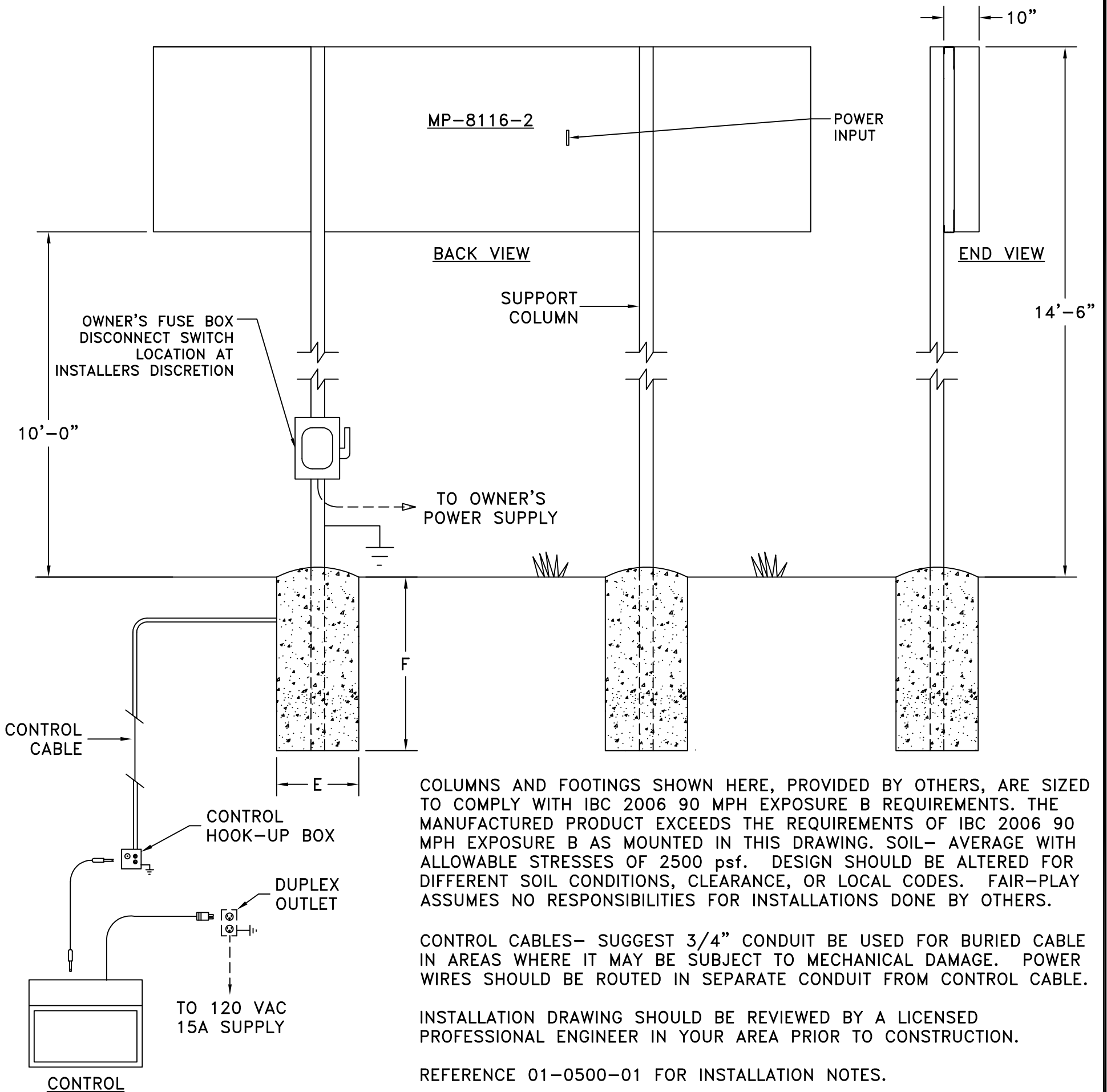
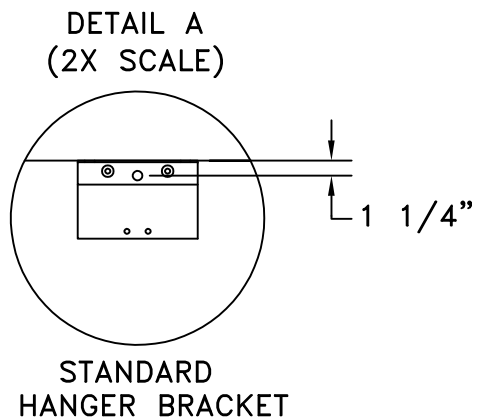
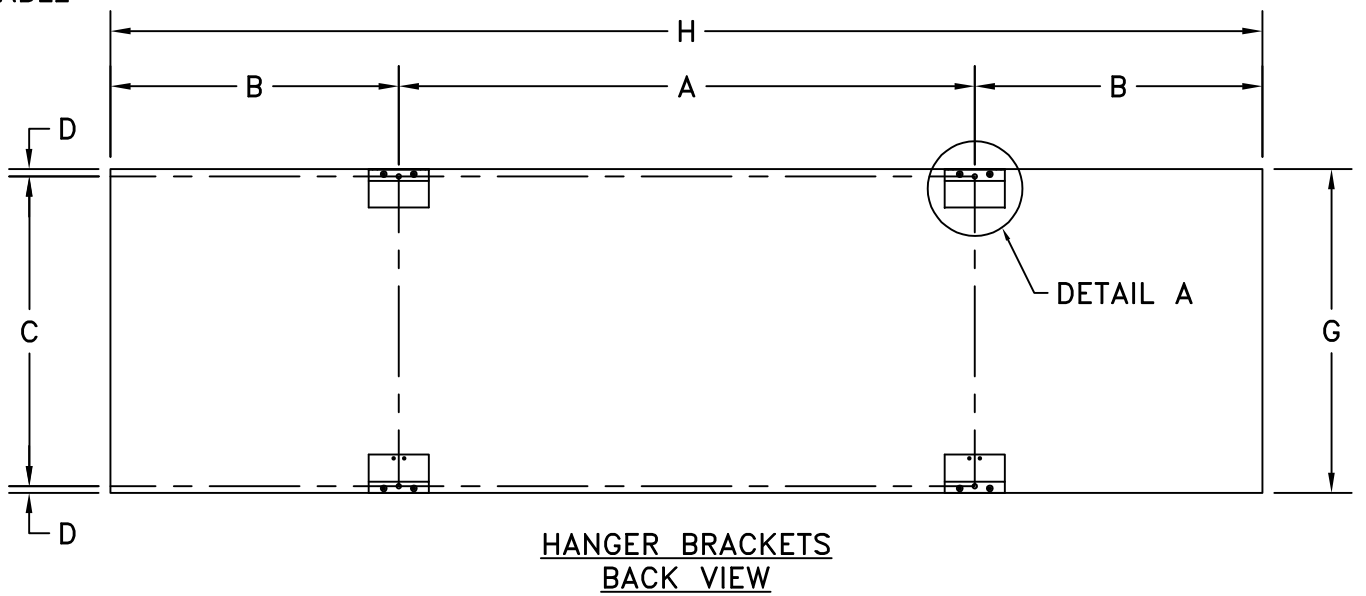


A	B	C	D	E	F	G	H	COLUMNS	POWER
8'-0"	4'-0"	4'-3 1/2"	1 1/4"	2'-6"	7'-6"	4'-6"	16'-0"	W8 X 18	REFERENCE 01-8116-03-1

DIMENSIONS



NOTE: IF WIRELESS IS ORDERED, CABLE & CONDUIT NOT REQ'D.



CUSTOMER APPROVAL:		MY SIGNATURE BELOW SIGNIFIES MY APPROVAL TO PROCEED WITH THE DESIGN WORK SPECIFIED HEREIN AND ACKNOWLEDGEMENT THAT I HAVE RECEIVED AND READ THE INSTALLATION SPECIFICATIONS CONTAINED IN FAIR-PLAY DOCUMENT NO. 01-0500-01. CONSULT YOUR FAIR-PLAY SALES ASSOCIATE IF YOU SHOULD HAVE ANY QUESTIONS OR REQUIRE ANY CHANGES TO THIS DOCUMENT.	
PROJECT:	SIGNATURE:	DATE:	
REFERENCE #:	PRINT NAME:		

FAIR-PLAY	THIS DOCUMENT CONTAINS FAIR-PLAY PROPRIETARY INFORMATION. ANY DISCLOSURE, USE OR DUPLICATION OF THE DOCUMENT OR OF ANY INFORMATION CONTAINED THEREIN FOR OTHER THAN THE SPECIFIC PURPOSE FOR WHICH IT WAS DISCLOSED IS EXPRESSLY PROHIBITED, EXCEPT AS MAY BE OTHERWISE AGREED TO IN WRITING. COPYRIGHT 2019.		
	TITLE	DRAWN BY	MODEL
INSTALLATION FOR MP-8116-2	RMS	B	MP-8116-2
	DATE	DWG. NO.	
	01-22-10	01-8116-03-2	
	SCALE		
	3/8"=1'-0"		

A	UPDATED TITLE BLOCK FORMAT	01-19-21	BEW
OR	ORIGINAL RELEASE	01-22-10	RMS
REV.#	CHANGE	DATE	BY

6110 AVIATOR DRIVE
HAZELWOOD, MO 63042