

WR-1401-4

SIZE: 2'-6"L X 9"H X 4"D

POWER: 120 VAC, 60 Hz., 1-PHASE
16 WATTS.

120 VAC AT THE CONTROL LOCATION.

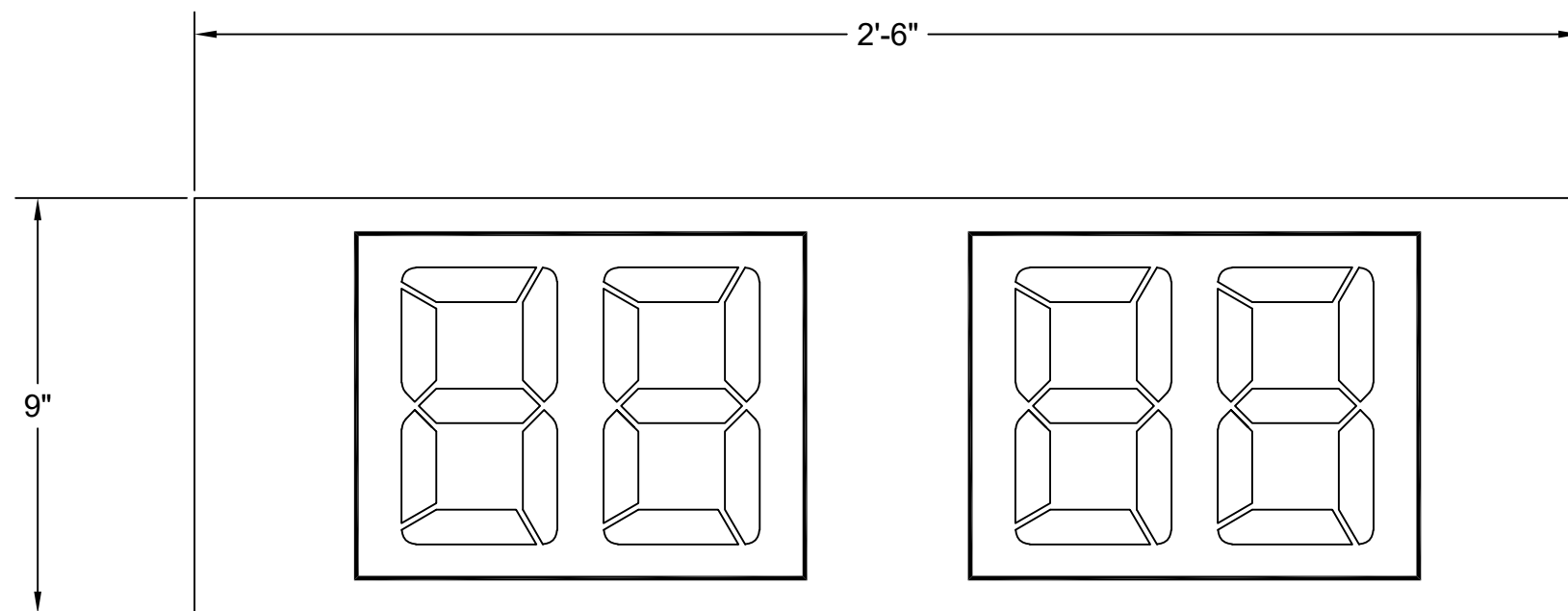
CONTROL CONSOLE: MP-70 SERIES CONTROLLER.
CONTROL CABLE: 22GA 2-WIRE SHIELDED.

LEDs: LED BAR.

ESTIMATED WEIGHT: 10 LBS.

GENERAL NOTES:

- * REFERENCE 01-0500-01 FOR INSTALLATION NOTES.
- * POWER REQUIREMENTS ARE VALID FOR 90 DAYS AFTER THE ORIGINAL RELEASE OR BY THE MOST RECENT REVISION OF THE DRAWING.



WR-1401-4

CUSTOMER APPROVAL:		MY SIGNATURE BELOW SIGNIFIES MY APPROVAL TO PROCEED WITH THE DESIGN WORK SPECIFIED HEREIN AND ACKNOWLEDGEMENT THAT I HAVE RECEIVED AND READ THE INSTALLATION SPECIFICATIONS CONTAINED IN FAIR-PLAY DOCUMENT NO. 01-0500-01. CONSULT YOUR FAIR-PLAY SALES ASSOCIATE IF YOU SHOULD HAVE ANY QUESTIONS OR REQUIRE ANY CHANGES TO THIS DOCUMENT.	
PROJECT:	SIGNATURE:	DATE:	
REFERENCE #:	PRINT NAME:		

FAIR-PLAY 6110 AVIATOR DRIVE HAZELWOOD, MO 63042	THIS DOCUMENT CONTAINS FAIR-PLAY PROPRIETARY INFORMATION. ANY DISCLOSURE, USE OR DUPLICATION OF THE DOCUMENT OR OF ANY INFORMATION CONTAINED THEREIN FOR OTHER THAN THE SPECIFIC PURPOSE FOR WHICH IT WAS DISCLOSED IS EXPRESSLY PROHIBITED, EXCEPT AS MAY BE OTHERWISE AGREED TO IN WRITING. COPYRIGHT 2019.				
	TITLE	FACE VIEW FOR WR-1401-4	DRAWN BY BEW	B	MODEL WR-1401-4
			DATE 07-25-12		DWG. NO.
			SCALE 1/4"=1"		01-1401-02-1

REV.#	DESCRIPTION	DATE	BY
A	UPDATED TITLE BLOCK FOMRAT	10-01-21	BEW
OR	ORIGINAL RELEASE	07-25-12	BEW
	CHANGE		