

FAIR-PLAY

INSTALLATION INSTRUCTIONS FOR OUTDOOR HORNS

REVISION DATE: 05-14-2021

PART#: 98-0020-01

FAIR-PLAY

Installation Instructions for Outdoor Horns

Caution:

- Water Ingress: No additional penetrations may be created in the product unless they are sealed per Nema 4 Standard. All field penetrations must be tested using a stream of water poured from a container located not less than 6" away horizontally. Warranty will be void if this testing is not completed during installation, or if there is water ingress from field modifications. Any cabinets located above the product must not allow water to build up and then flow through conduits into the product. Penetrations between product and higher cabinets must be sealed between the cabinet internal spaces using water tight cable to conduit seals. Holes remaining from eye bolt removal must be filled, sealed and tested.
- Ventilation: Install product so that air flow is not restricted. Customer's structure must allow for the free flow of outside ambient air to the product, without recirculation of air. Warranty will be void if components fail due to air flow restrictions.

Follow these instructions when installing a #55 Federal horn (Horn Kit #01-0000-01):

1. The scoreboard will have an access door on the back near the horn location or a removable socket plate assembly on the right side of the scoreboard. The socket plate will be attached with #6 sheet metal screws, not rivets (a 1/4" nut driver will be required to remove screws). The removable socket plate will be either visitor score or ball possession (depending on the model scoreboard).
2. Remove plastic plug on the right end of scoreboard, match drill and mount the horn mounting bracket from 7" to 10" below the 7/8" dia. hole, using the 1/4" hardware provided. See print #01-0000-01.
3. Attach horn to mounting bracket with 3/8" hardware provided. Make sure the horn is pointed down approximately 10 degrees. **WARNING: TO PREVENT WATER DAMAGE HORN MUST BE TILTED DOWN A MINIMUM OF 10 DEGREES.**
4. Insert the wire harness and attach the flexible conduit from the horn to the 7/8" dia. hole provided. Attach conduit lock nut securely from the inside of the cabinet.
5. Inside the cabinet behind the socket plate assembly you may find an optional connector, if no connector, skip to step 6. If your scoreboard has a three pin connector, pin connector according to drawing number 01-0000-03 and plug connectors together securely.
6. If there is no connector you will find 3 wires (white, black & green). Using twist nuts provided splice white, black, and green wires from horn to these three wires matching color to color.
7. Re-install socket plate assembly.

Follow these instructions when installing a #876-N5 Edwards horn (Horn Kit #01-0000-02):

1. The scoreboard will have an access door on the back near the horn location or a removable socket plate assembly on the right side of the scoreboard. The socket plate will be attached with #6 sheet metal screws, not rivets (a 1/4" nut driver will be required to remove screws). The removable socket plate will be either visitor score or ball possession (depending on the model scoreboard).
2. Remove plastic plug, enlarge the 7/8" dia. hole to 1 1/8" dia., or drill a 1 1/8" dia. hole close to the 7/8" dia. Reference drawing number 01-0000-02 for location. Insert wiring harness and attach horn using conduit lock nut provided.
3. Match drill horn mounting plate to scoreboard and attach using 1/4" hardware provided.

4. Inside the cabinet behind the socket plate assembly you may find an optional connector, if no connector skip to step 6. If your scoreboard has a three pin connector, pin connector according to drawing number 01-0000-03 and plug connectors together securely.
5. If there is no connector you will find 3 wires (white, black & green). Using twist nuts provided splice white, black, and green wires from horn to these three wires matching color to color.
6. Re-install socket plate assembly.

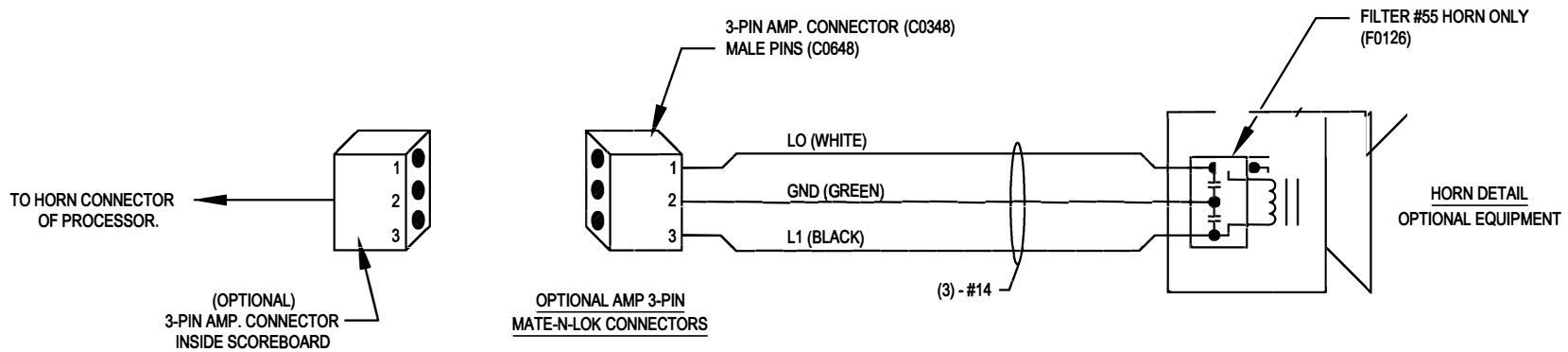
Follow these instructions when installing optional Horn driver (Horn kit #01-0000-06-1 & 01-0000-06-2)

1. This installation will require working with 120vac; Seek the services of a qualified licensed electrician. **Warning electric shock is possible which may result in injury or even death if not installed properly.**
2. Disconnect all power sources to the scoreboard prior to installing the horn driver and horn to your scoreboard.
3. Facing the front side of the scoreboard, locate the access door, some scoreboards will have more than one door, you will need to locate the top or upper most door.
4. When you open the door you will see a sheet metal enclosure. Loosen the two screws on the coverface, slide the cover plate up, pull out past the retaining screws, and pull down, to remove this cover.
5. Inside the enclosure you will see the scoreboard driver assembly (LED-1208), and the wireless receiver 16-0006-07, (if supplied with your scoreboard). There will be a metal bracket located above the driver assembly which mates with the horn driver (16-0006-05) supplied in the horn kit. Simply hang the horn driver on this metal bracket for attachment.
6. Referencing drawing 01-0000-06 for wiring details. Inside the scoreboard driver enclosure there will be a white plug with black, white, and green wires, and a black plug with red and purple wires. On the horn driver you will see corresponding white and black receptacles. . Double check to ensure the power source is disconnected and attach the plugs accordingly. Recheck to ensure all wires are properly attached and routed to ensure no damage will occur for your safety and for all equipment installed.
7. Next install the horn by referencing drawings 01-0000-01 or 01-0000-02.
8. Reconnect power to the scoreboard, and check operation. If operation is correct jump to step ten. If the horn does not function properly turn off power and recheck all connections. If connections are correct, contact an authorized Fair-Play service dealer nearest you or contact the service center at (800) 462-2716 for additional assistance.
9. Attach all covers securely, and close the access door.

**01-0000-06-1 Horn kit includes: 16-0006-05-Horn relay card assembly
98-0020-01-Instructions
#55 Horn (H0001) and mounting hardware**

**01-0000-06-2 Horn kit includes: 16-0006-05-Horn relay card assembly
98-0020-01-Instructions
#867-NS Horn (H0013) and mounting hardware**

Required tools: Standard blade screwdriver, 1/4"nut driver, ratchet, 9/16 socket, 7/16 socket, and Channel locks.



FAIR-PLAY

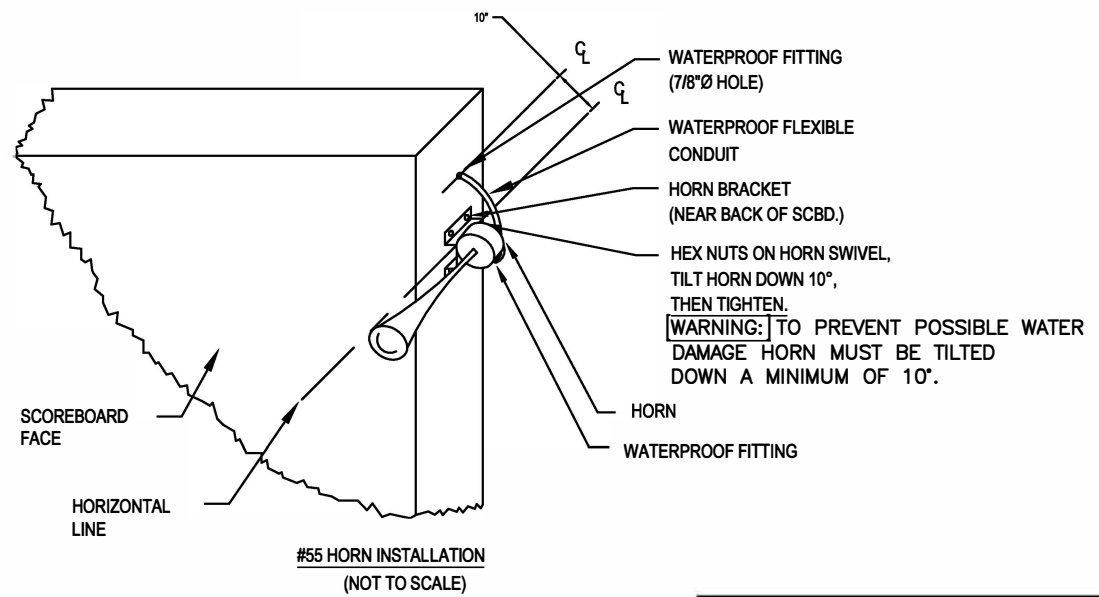
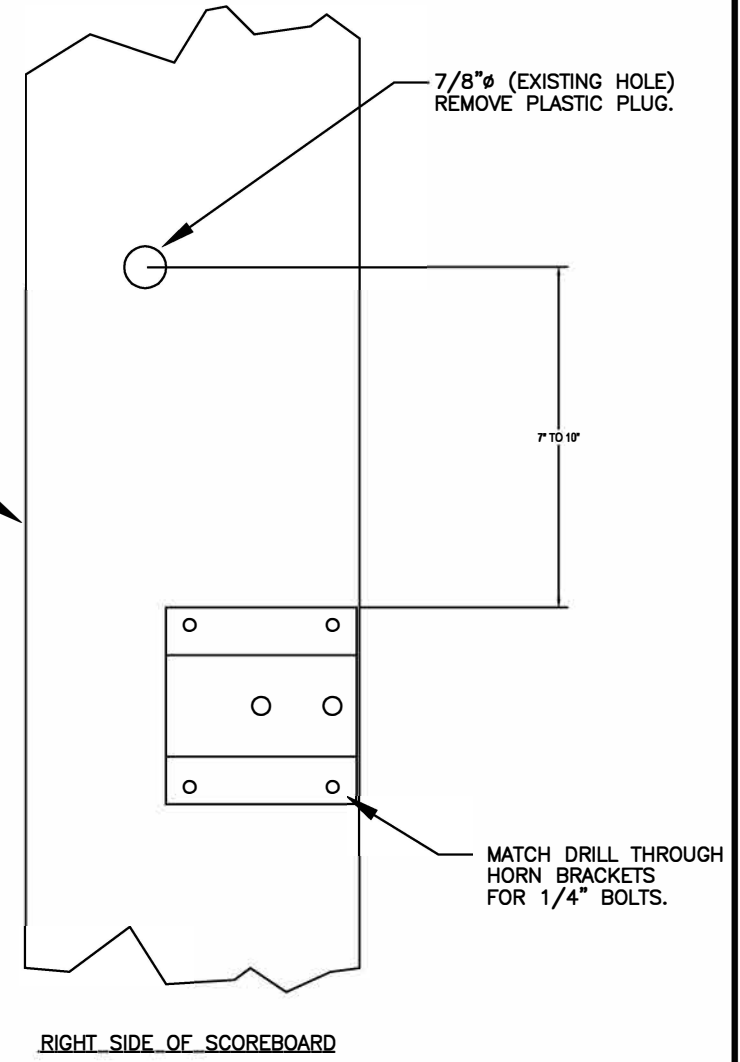
6110 AVIATOR DRIVE
HAZELWOOD, MO 63042
fair-play.com

THIS DOCUMENT CONTAINS FAIR-PLAY PROPRIETARY INFORMATION. ANY DISCLOSURE, USE OR DUPLICATION OF THE DOCUMENT OR OF ANY INFORMATION CONTAINED THEREIN FOR OTHER THAN THE SPECIFIC PURPOSE FOR WHICH IT WAS DISCLOSED IS EXPRESSLY PROHIBITED, EXCEPT AS MAY BE OTHERWISE AGREED TO IN WRITING

TITLE	DRAWN BY BEW	MODEL:
DETAIL FOR OUTDOOR SCOREBOARD HORN OPTION	DATE	A
	08-04-98	
	SCALE NONE	DWG .NO. 01-0000-03

ITEM	CHANGE	DATE	BY
------	--------	------	----

SCOREBOARD
FACE

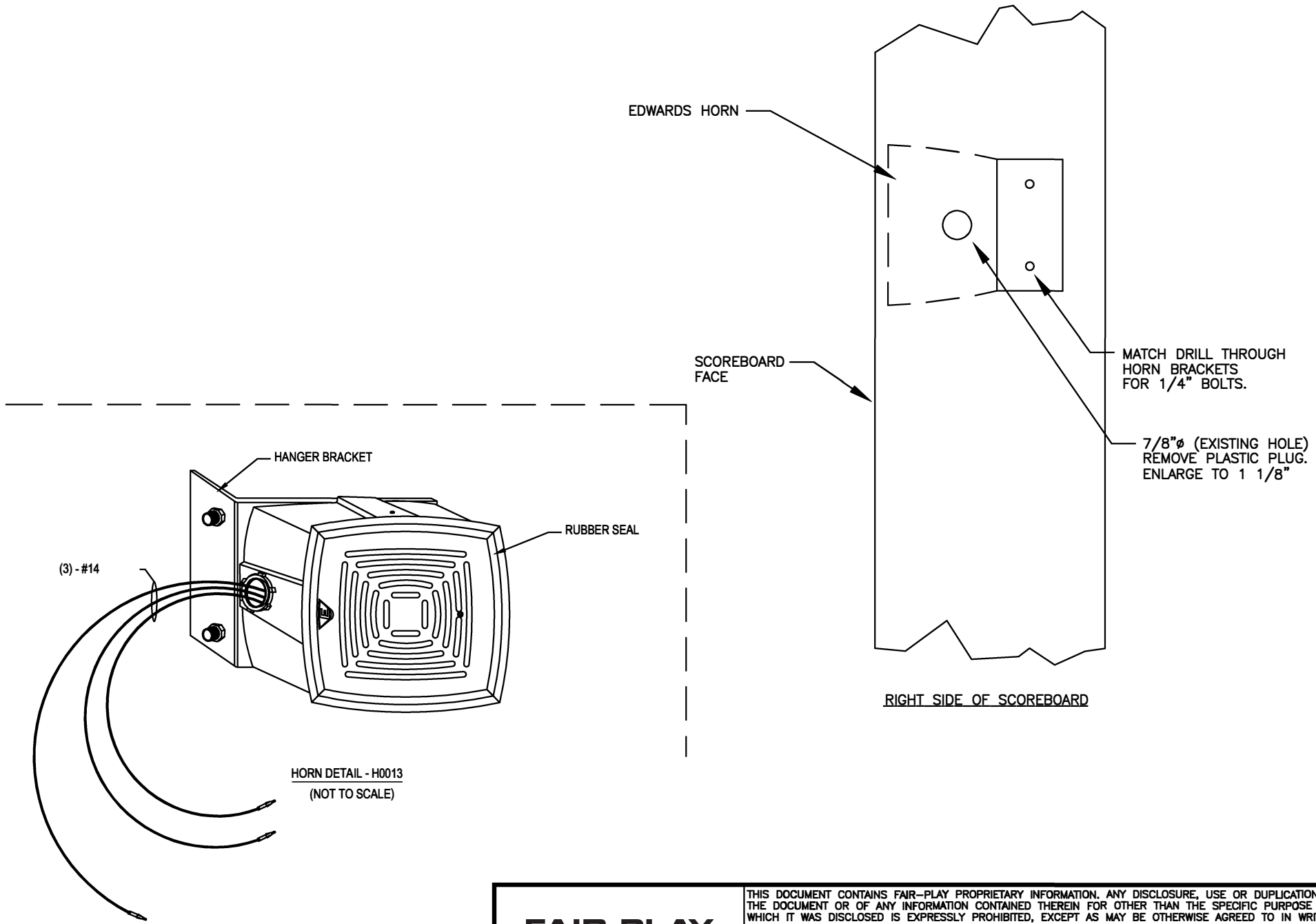


FAIR-PLAY
6110 AVIATOR DRIVE
HAZELWOOD, MO 63042
fair-play.com

THIS DOCUMENT CONTAINS FAIR-PLAY PROPRIETARY INFORMATION. ANY DISCLOSURE, USE OR DUPLICATION OF THE DOCUMENT OR OF ANY INFORMATION CONTAINED THEREIN FOR OTHER THAN THE SPECIFIC PURPOSE FOR WHICH IT WAS DISCLOSED IS EXPRESSLY PROHIBITED, EXCEPT AS MAY BE OTHERWISE AGREED TO IN WRITING

TITLE	DRAWN BY BEW	MODEL: A
INSTALLATION DETAIL FOR OUTDOOR SCOREBOARD FEDERAL #55 HORN	DATE 07-14-98	#55 HORN
	SCALE 1/4"=1"	DWG. NO. 01-0000-01

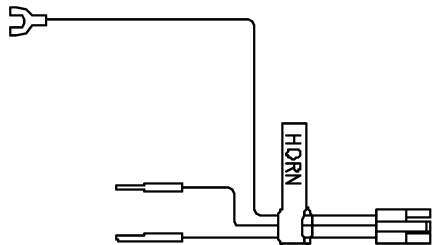
ITEM	CHANGE	DATE	BY
------	--------	------	----



ITEM	CHANGE	DATE	BY

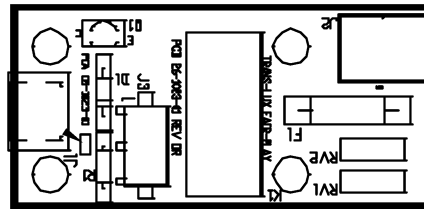
FAIR-PLAY 6110 AVIATOR DRIVE HAZELWOOD, MO 63042 fair-play.com	THIS DOCUMENT CONTAINS FAIR-PLAY PROPRIETARY INFORMATION. ANY DISCLOSURE, USE OR DUPLICATION OF THE DOCUMENT OR OF ANY INFORMATION CONTAINED THEREIN FOR OTHER THAN THE SPECIFIC PURPOSE FOR WHICH IT WAS DISCLOSED IS EXPRESSLY PROHIBITED, EXCEPT AS MAY BE OTHERWISE AGREED TO IN WRITING			
	TITLE	DRAWN BY	MODEL:	
	DETAIL FOR OUTDOOR SCOREBOARD #876-N5 EDWARDS HORN	BEW	A	#876-N5
		DATE	DWG. NO.	
	08-10-98	01-0000-02		
	SCALE			
	1/4"=1"			

FACTORY INSTALLED



HARNES 16-0076-01-2
LOCATED INSIDE SCOREBOARD

CUSTOMER INSTALLED

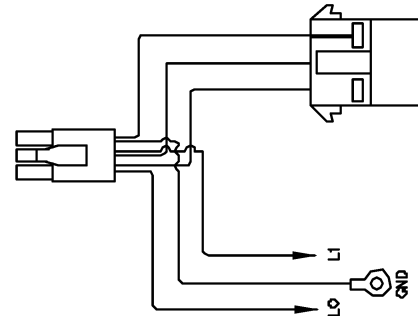


WIRING DIAGRAM

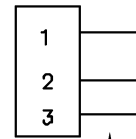
NOTE: DISCONNECT ALL POWER TO SCOREBOARD BEFORE INSTALLING HORN. ALL CONNECTIONS FOR THE HORN CARD LOCATED INSIDE J-BOX

HORN INSTALLATION REFER TO DRAWING 01-0000-01 AND 01-0000-02.

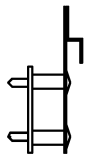
FACTORY INSTALLED



HARNES 16-0076-01-1
LOCATED INSIDE SCOREBOARD



REFERENCE DRAWING (01-0000-03)
FOR THE HORN CONNECTION.



EXPLODED VIEW
SIDE VIEW

HANG ON JOGGLE AVAILABLE
INSIDE DRIVER ENCLOSER

FAIR-PLAY

6110 AVIATOR DRIVE
HAZELWOOD, MO 63042
fair-play.com

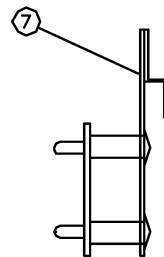
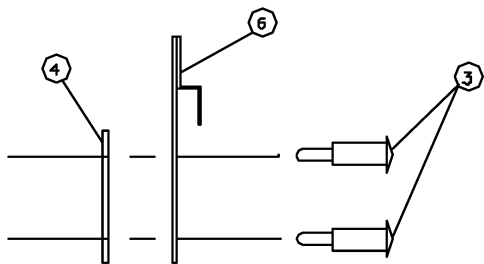
THIS DOCUMENT CONTAINS FAIR-PLAY PROPRIETARY INFORMATION. ANY DISCLOSURE, USE OR DUPLICATION OF THE DOCUMENT OR OF ANY INFORMATION CONTAINED THEREIN FOR OTHER THAN THE SPECIFIC PURPOSE FOR WHICH IT WAS DISCLOSED IS EXPRESSLY PROHIBITED, EXCEPT AS MAY BE OTHERWISE AGREED TO IN WRITING.

DRAWN BY NAP	MODEL: B
DATE 5-14-01	OPTION
SCALE NONE	DWG. NO. 01-0000-06

A	CHANGED TO RELAY CARD 90-1023-01	10/09/03	NLB
REV#	CHANGE	DATE	BY

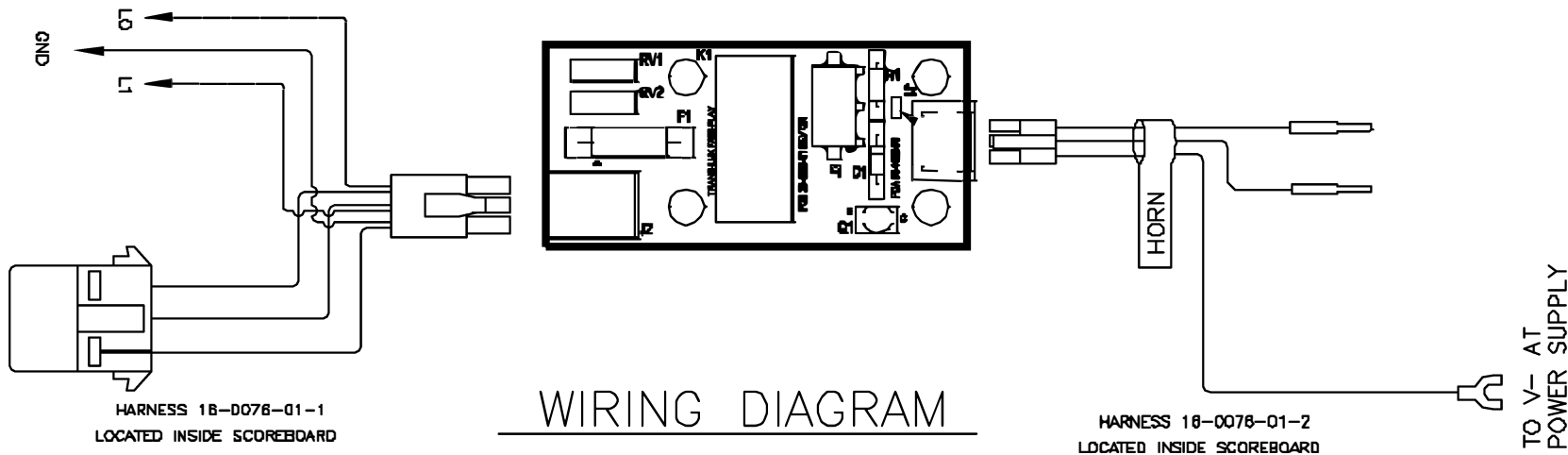
ATTACH STANDOFFS FROM BACK

APPLY LABEL TO TOP FRONT



EXPLODED VIEW

SIDE VIEW



WIRING DIAGRAM

FAIR-PLAY

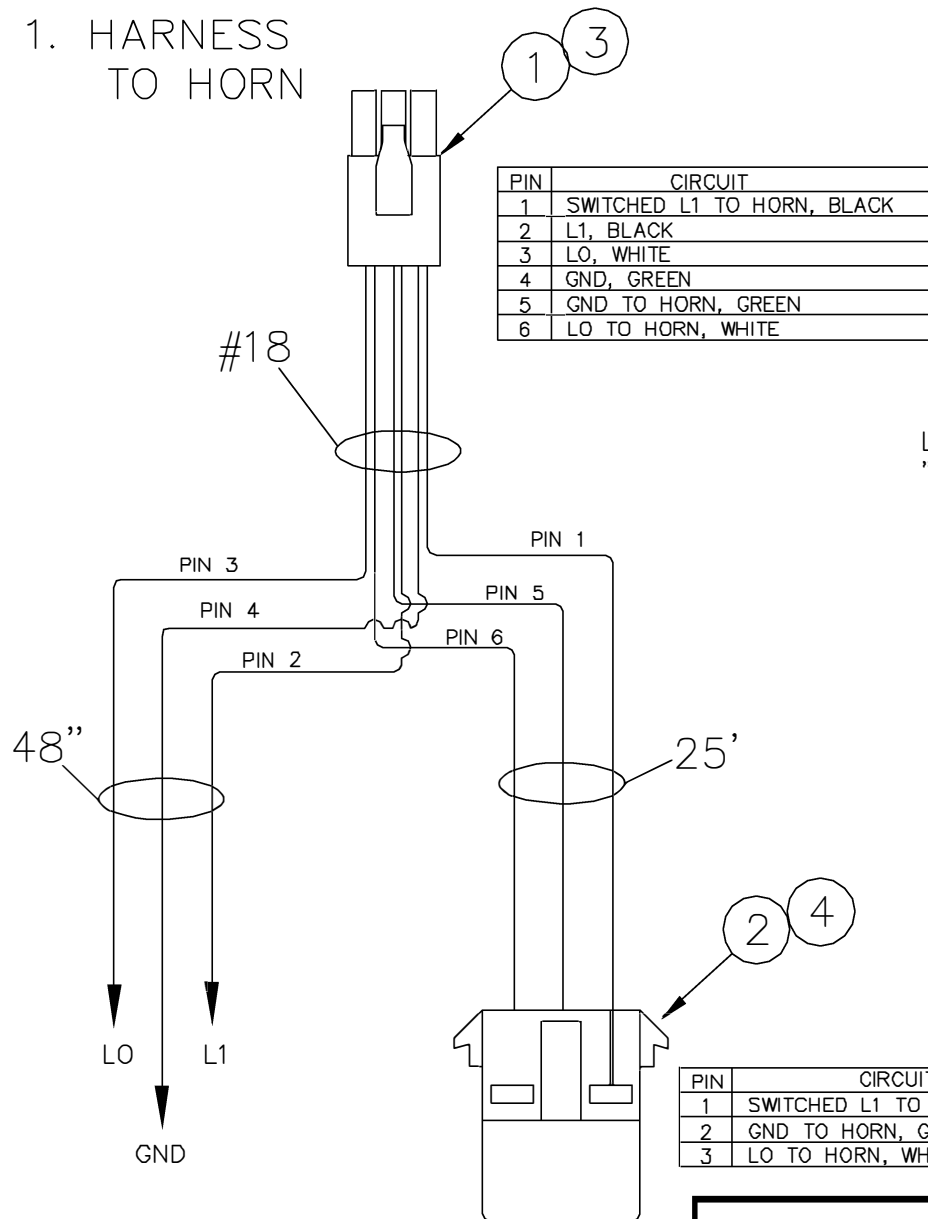
6110 AVIATOR DRIVE
HAZELWOOD, MO 63042
fair-play.com

THIS DOCUMENT CONTAINS FAIR-PLAY PROPRIETARY INFORMATION. ANY DISCLOSURE, USE OR DUPLICATION OF THE DOCUMENT OR OF ANY INFORMATION CONTAINED THEREIN FOR OTHER THAN THE SPECIFIC PURPOSE FOR WHICH IT WAS DISCLOSED IS EXPRESSLY PROHIBITED, EXCEPT AS MAY BE OTHERWISE AGREED TO IN WRITING.

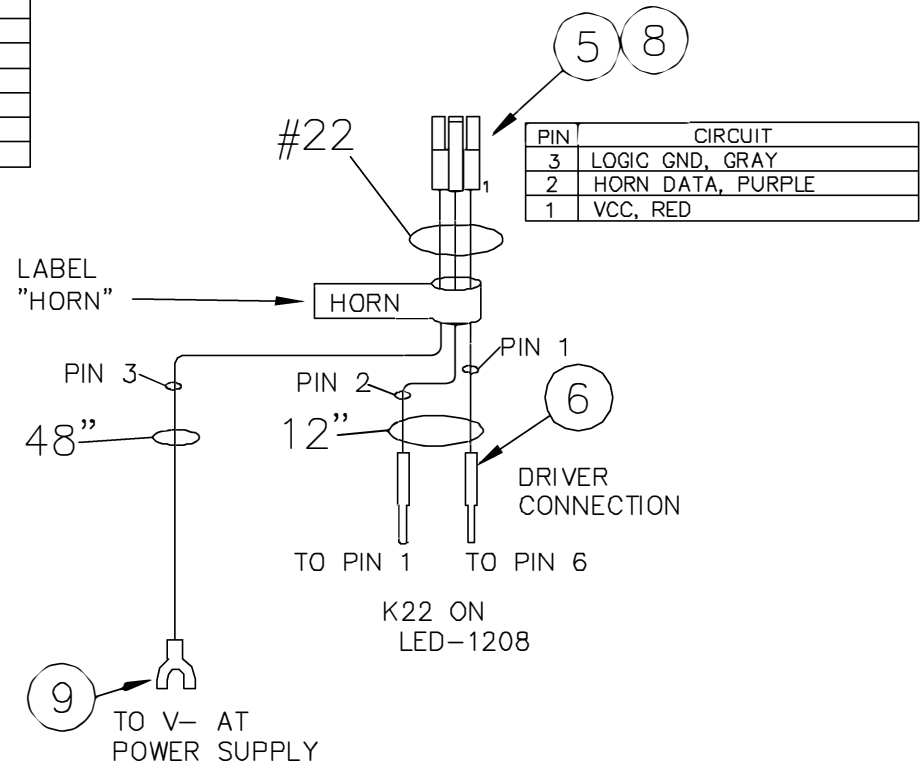
REV	CHANGE	DATE	BY
B	ADDED NEW RELAY CARD	8/30/03	DLS
A	ADDED SCREW FOR ATTACHING TO SCOREBOARD	3/12/03	WJG
1	REVISED & REDRAWN	3/28/01	KGW
ITEM			

TITLE	DRAWN BY	MODEL:
HORN RELAY ASSEMBLY FOR EITHER #55/H0013 OUTDOOR LED	KGW	A
	DATE	COMMON
	4/14/00	
SCALE	DWG. NO.	
1/2"=1"	16-0006-05	

1. HARNESS TO HORN



2. HARNESS TO DRIVER



PIN	CIRCUIT
1	SWITCHED L1 TO HORN, BLACK
2	GND TO HORN, GREEN
3	LO TO HORN, WHITE

REV.#	CHANGE	DATE	BY
B	CHANGED WIRE LENGTH ON BOTH, REMOVED RING ON #1	10/06/03	DLS
A	#1. - CHANGED PINNING ORDER	4/25/03	DLS
OR	ORIGINAL RELEASE	1/23/03	DLS

FAIR-PLAY

6110 AVIATOR DRIVE
HAZELWOOD, MO 63042
fair-play.com

THIS DOCUMENT CONTAINS FAIR-PLAY PROPRIETARY INFORMATION. ANY DISCLOSURE, USE OR DUPLICATION OF THE DOCUMENT OR OF ANY INFORMATION CONTAINED THEREIN FOR OTHER THAN THE SPECIFIC PURPOSE FOR WHICH IT WAS DISCLOSED IS EXPRESSLY PROHIBITED, EXCEPT AS MAY BE OTHERWISE AGREED TO IN WRITING

TITLE	DRAWN BY	MODEL:
HORN CARD HARNESSES USED WITH OUTDOOR LED-1208	DLS	A 120 VAC HORN
	DATE	DWG. NO.
	1/23/03	16-0076-01
	SCALE	
	NONE	