

BB-1900-4

SIZE: 15'-0"L X 3'-0"H X 4"D

POWER: 120 VAC, 60 Hz., 1-PHASE
96 WATTS.

120 VAC AT THE CONTROL LOCATION.

CONTROL CONSOLE: MP-70 SERIES CONTROLLER.

CONTROL CABLE: 22GA 2-WIRE SHIELDED.

(IF WIRELESS ORDERED, CABLE NOT REQ'D.)

LEDs: LED BAR.

OPTIONS: MODEL HH-70 CLOCK HAND SWITCH FOR SECOND OPERATOR.
(CLOCK START/STOP & MANUAL HORN.)

MODEL HC-70 CLOCK HAND SWITCH FOR SECOND OPERATOR.
(CLOCK START/STOP & CLOCK RESET.)

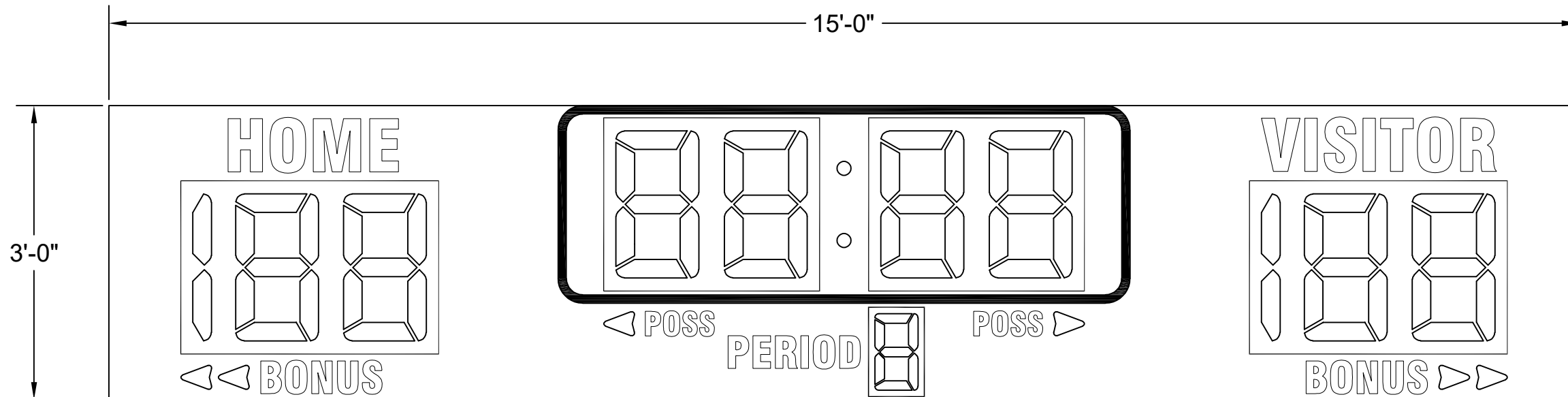
WIRELESS MP-70 CONTROL OPERATION.

ESTIMATED WEIGHT: 240 LBS.

GENERAL NOTES:

* REFERENCE 01-0500-01 FOR INSTALLATION NOTES.

* POWER REQUIREMENTS ARE VALID FOR 90 DAYS AFTER THE ORIGINAL
RELEASE OR BY THE MOST RECENT REVISION OF THE DRAWING.



BB-1900-4

CUSTOMER APPROVAL:		MY SIGNATURE BELOW SIGNIFIES MY APPROVAL TO PROCEED WITH THE DESIGN WORK SPECIFIED HEREIN AND ACKNOWLEDGEMENT THAT I HAVE RECEIVED AND READ THE INSTALLATION SPECIFICATIONS CONTAINED IN FAIR-PLAY DOCUMENT NO. 01-0500-01. CONSULT YOUR FAIR-PLAY SALES ASSOCIATE IF YOU SHOULD HAVE ANY QUESTIONS OR REQUIRE ANY CHANGES TO THIS DOCUMENT.	
PROJECT:	SIGNATURE:	DATE:	
REFERENCE #:	PRINT NAME:		

FAIR-PLAY	THIS DOCUMENT CONTAINS FAIR-PLAY PROPRIETARY INFORMATION. ANY DISCLOSURE, USE OR DUPLICATION OF THE DOCUMENT OR OF ANY INFORMATION CONTAINED THEREIN FOR OTHER THAN THE SPECIFIC PURPOSE FOR WHICH IT WAS DISCLOSED IS EXPRESSLY PROHIBITED, EXCEPT AS MAY BE OTHERWISE AGREED TO IN WRITING. COPYRIGHT 2019.		
	TITLE	DRAWN BY	MODEL
	FACE VIEW FOR BB-1900-4	RMS	B BB-1900-4
	6110 AVIATOR DRIVE HAZELWOOD, MO 63042	DATE 02-09-09	DWG. NO. 01-1900-01-1
	SCALE 3/4"=1'-0"		

REV.#	CHANGE	DATE	BY
C	UPDATED TITLE BLOCK FORMAT	09-23-21	BEW
B	GENERAL UPDATES, ADDED POWER NOTE	05-17-12	BEW
A	GENERAL UPDATES	05-23-11	BEW
OR	ORIGINAL RELEASE	02-09-09	RMS