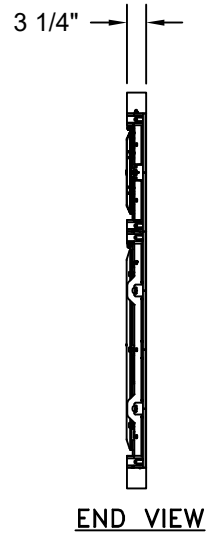
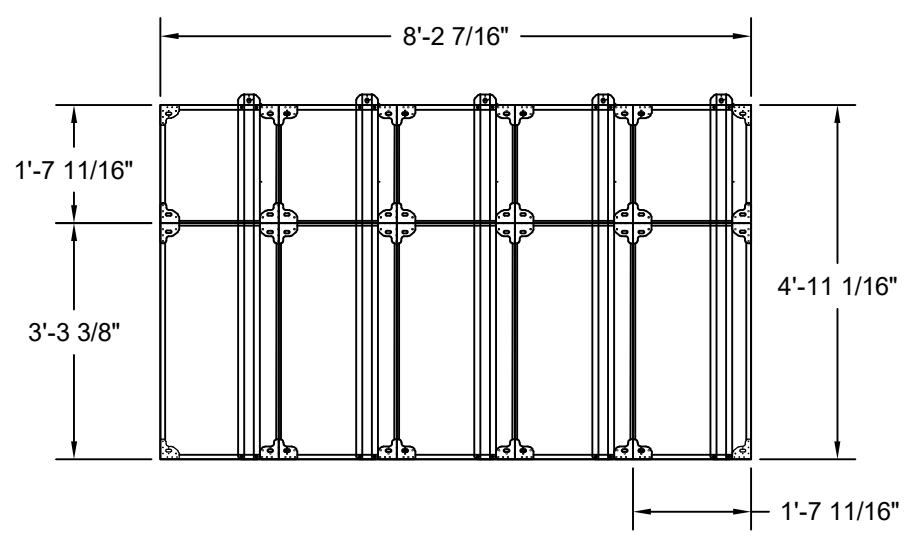


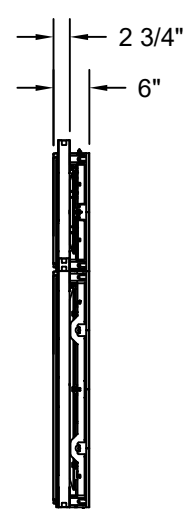
384 X 640 3.91MM INDOOR
 FRONT SERVICE SINGLE-FACE
 FULL-COLOR DIGITAL VIDEO DISPLAY
 BACK VIEW



END VIEW



384 X 640 3.91MM INDOOR
 FRONT SERVICE SINGLE-FACE
 FULL-COLOR DIGITAL VIDEO DISPLAY
 FRAME DETAILS
 BACK VIEW



FRAME DETAILS
 END VIEW

NOTES:

POWER WIRES SHOULD BE ROUTED IN SEPARATE CONDUIT FROM CONTROL CABLE. SUGGEST 1/2" CONDUIT FOR CONTROL.

VENTILATION— THE CABINET BACK INCORPORATES FANS FOR AIR CIRCULATION. INSTALL SCOREBOARD SO AIR FLOW IS NOT RESTRICTED.

FAIR-PLAY ASSUMES NO RESPONSIBILITIES FOR INSTALLATIONS DONE BY OTHERS.

* REFERENCE 01-0500-01 FOR INSTALLATION NOTES.

* REFERENCE 01-0903-75-1 FOR FACE VIEW,
 01-0903-75-3 FOR POWER/DATA CONNECTION

CUSTOMER APPROVAL:		MY SIGNATURE BELOW SIGNIFIES MY APPROVAL TO PROCEED WITH THE DESIGN WORK SPECIFIED HEREIN AND ACKNOWLEDGEMENT THAT I HAVE RECEIVED AND READ THE INSTALLATION SPECIFICATIONS CONTAINED IN FAIR-PLAY DOCUMENT NO. 01-0500-01. CONSULT YOUR FAIR-PLAY SALES ASSOCIATE IF YOU SHOULD HAVE ANY QUESTIONS OR REQUIRE ANY CHANGES TO THIS DOCUMENT.	
PROJECT:	SIGNATURE:	DATE:	
REFERENCE #:	PRINT NAME:		

FAIR-PLAY 6110 AVIATOR DRIVE HAZELWOOD, MO 63042	THIS DOCUMENT CONTAINS FAIR-PLAY PROPRIETARY INFORMATION. ANY DISCLOSURE, USE OR DUPLICATION OF THE DOCUMENT OR OF ANY INFORMATION CONTAINED THEREIN FOR OTHER THAN THE SPECIFIC PURPOSE FOR WHICH IT WAS DISCLOSED IS EXPRESSLY PROHIBITED, EXCEPT AS MAY BE OTHERWISE AGREED TO IN WRITING. COPYRIGHT 2019.		TITLE INSTALLATION FOR 384 X 640 FS SF ID 3.91MM DISPLAY	
	DRAWN BY BEW	DATE 10-08-21	MODEL B	3.91MM
	SCALE 3/8"=1'-0"	DWG. NO. 01-0903-75-2		

OR	ORIGINAL RELEASE	10-08-21	BEW
REV.#	CHANGE	DATE	BY