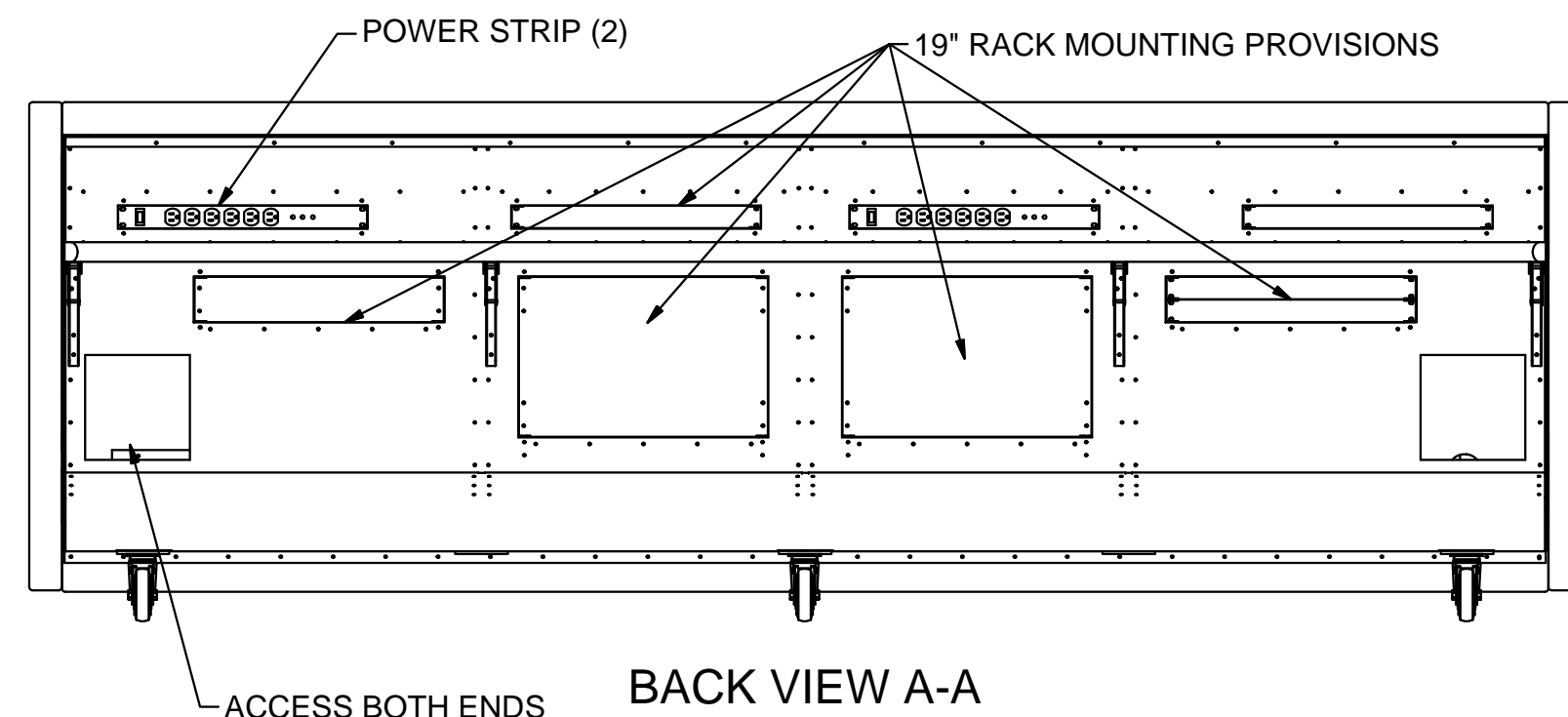
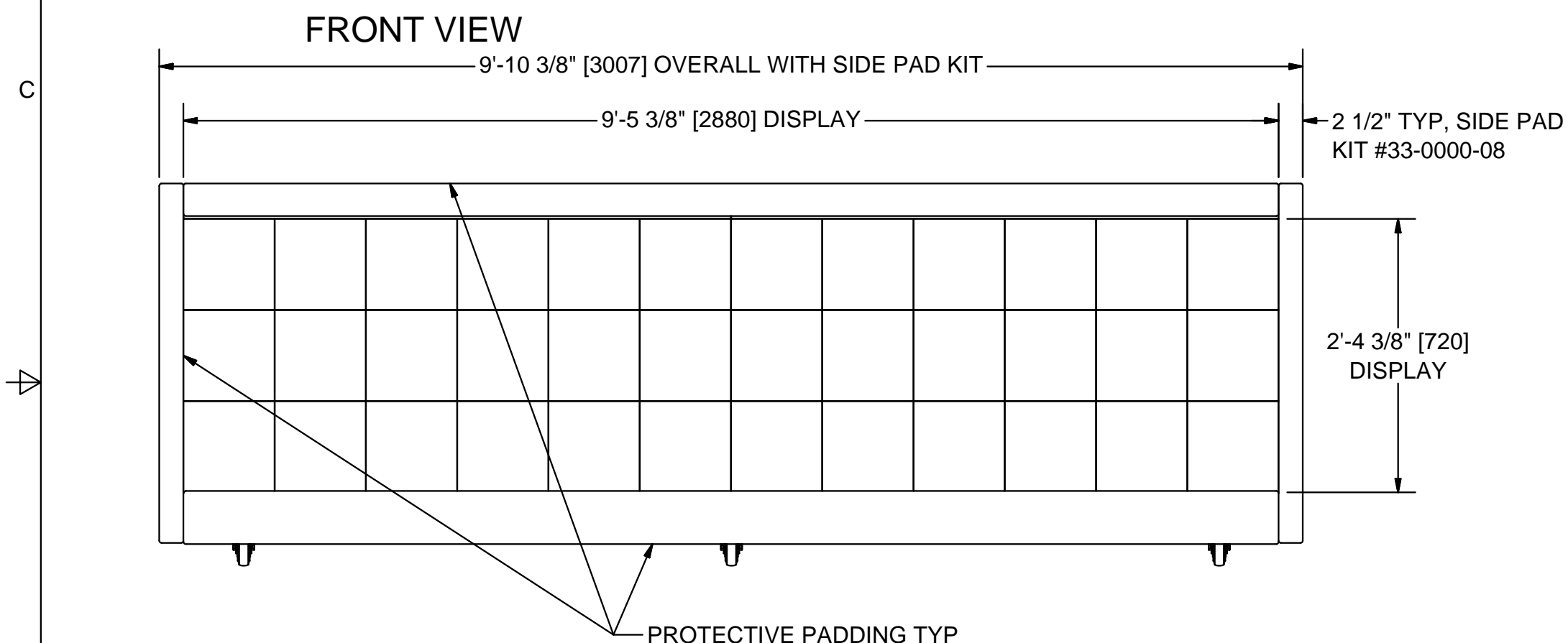


TOP VIEW



BACK VIEW A-A



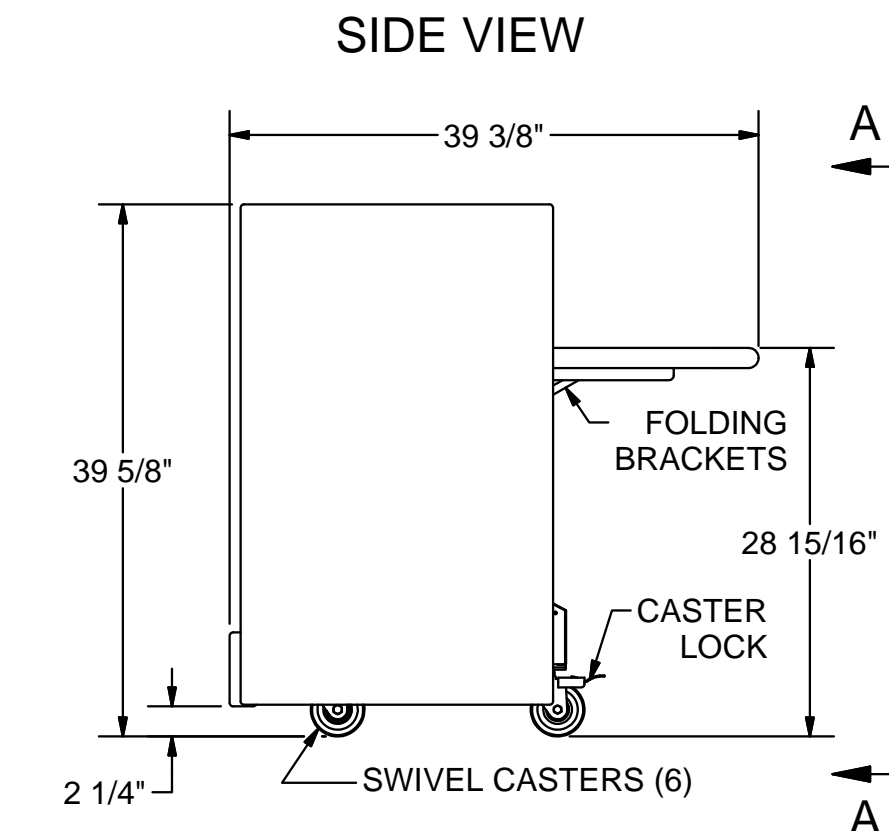
FRONT VIEW

INDOOR LED DISPLAY

- LED COLOR: RGB
- 4MM PIXEL PITCH
- 180 X 720 RESOLUTION
- LUMINANCE: 1800 NITS (cd/m²)
- ACTIVE AREA: 9'-5 3/8" L X 2'-4 3/8" H
- VIEWING ANGLE: 160° HOR. & VERT.

DISPLAY CABINET

- FRONT SERVICE
- ALUMINUM CABINET, STEEL FRAME



SIDE VIEW

POWER PER SECTION

- POWER CONSUMPTION : 1188* WATTS PER CST-1004 SECTION, *PLUS ADDITIONAL USER COMPONENTS
- *EACH TABLE SUPPLIED WITH (2) 12 AMP, 120V POWER STRIPS, MOUNTED BACK SIDE ABOVE TABLE TOP.

SUPPLY POWER OPTIONS (CUSTOMER MUST SELECT)

1. STANDARD #14-2060-01: 208Y/120 VAC, 60 Hz, 3 PHASE 30 AMP MAX PER CIRCUIT (L21-30 PLUG)
2. 120V/30A OPTION #14-2060-02: 120 VAC, 60 Hz SINGLE PHASE, 30 AMP MAX PER CIRCUIT (L5-30 PLUG, TWIST LOCK)
3. 120V/15A OPTION #14-2060-03: 120 VAC, 60 Hz SINGLE PHASE, 15 AMP MAX PER CIRCUIT (STD. GROUNDED WALL PLUG)

ESTIMATED WEIGHT

- 550 LBS. PER SECTION

GENERAL NOTES

1. ALL DIMENSIONS +/-1/8" UNLESS OTHERWISE STATED.
2. POWER REQUIREMENTS ARE VALID FOR 90 DAYS AFTER THE ORIGINAL RELEASE OR BY THE MOST RECENT REVISION OF THE DRAWING.
3. SPECIFICATIONS SUBJECT TO CHANGE WITHOUT NOTICE
4. ALTERNATE DIMENSIONS SHOWN AS [XX] ARE MILLIMETERS

| | | | |
|---|-----------|---|-------------------------------|
| PROJECT NAME: | | REF#: | |
| MY SIGNATURE BELOW SIGNIFIES MY APPROVAL TO PROCEED WITH DESIGN WORK SPECIFIED HEREIN AND ACKNOWLEDGEMENT THAT I HAVE RECEIVED AND READ THE INSTALLATION INSTRUCTIONS CONTAINED IN DOCUMENT NO. 01-0500-02. CONSULT YOUR SALES ASSOCIATE IF YOU SHOULD HAVE ANY QUESTIONS OR REQUIRE ANY CHANGES TO THIS DOCUMENT | | | |
| SIGNATURE: | | DATE: | |
| PRINT NAME: | | DATE: | |
| DRAWN HEGGEN | 7/24/2017 | THIS DOCUMENT CONTAINS PROPRIETARY TRANSLUX INFORMATION, ANY DISCLOSURE, USE OR DUPLICATION OF THE DOCUMENT OR INFORMATION CONTAINED THEREIN FOR OTHER THAN THE SPECIFIC PURPOSE FOR WHICH IT WAS DISCLOSED IS EXPRESSLY PROHIBITED EXCEPT AS MAY BE OTHERWISE AGREED TO IN WRITING | |
| CHECKED | | TITLE COURTSIDE TABLE CST-1004 STAND ALONE | |
| QA | | SIZE C | DWG NO 01-1004-06-1 |
| MFG | | SCALE | REV OR |
| APPROVED | | | SHEET 1 OF 1 |

FAIR-PLAY

| | | | |
|------------------|------------------|-----------|-----|
| OR | ORIGINAL RELEASE | 7/24/2017 | DJH |
| REV | DESCRIPTION | DATE | BY |
| REVISION HISTORY | | | |