

**INDOOR LED DISPLAY**

- LED COLOR: RGB
- 4MM PIXEL PITCH
- 180 X 600 RESOLUTION
- LUMINANCE: 1800 NITS (cd/m<sup>2</sup>)
- ACTIVE AREA: 7'-10 1/2"L X 2'-4 5/16"H
- VIEWING ANGLE: 160° HOR. & VERT.
- FRONT SERVICE
- ALUMINUM CABINET
- STEEL BASE

**POWER CONSUMPTION**

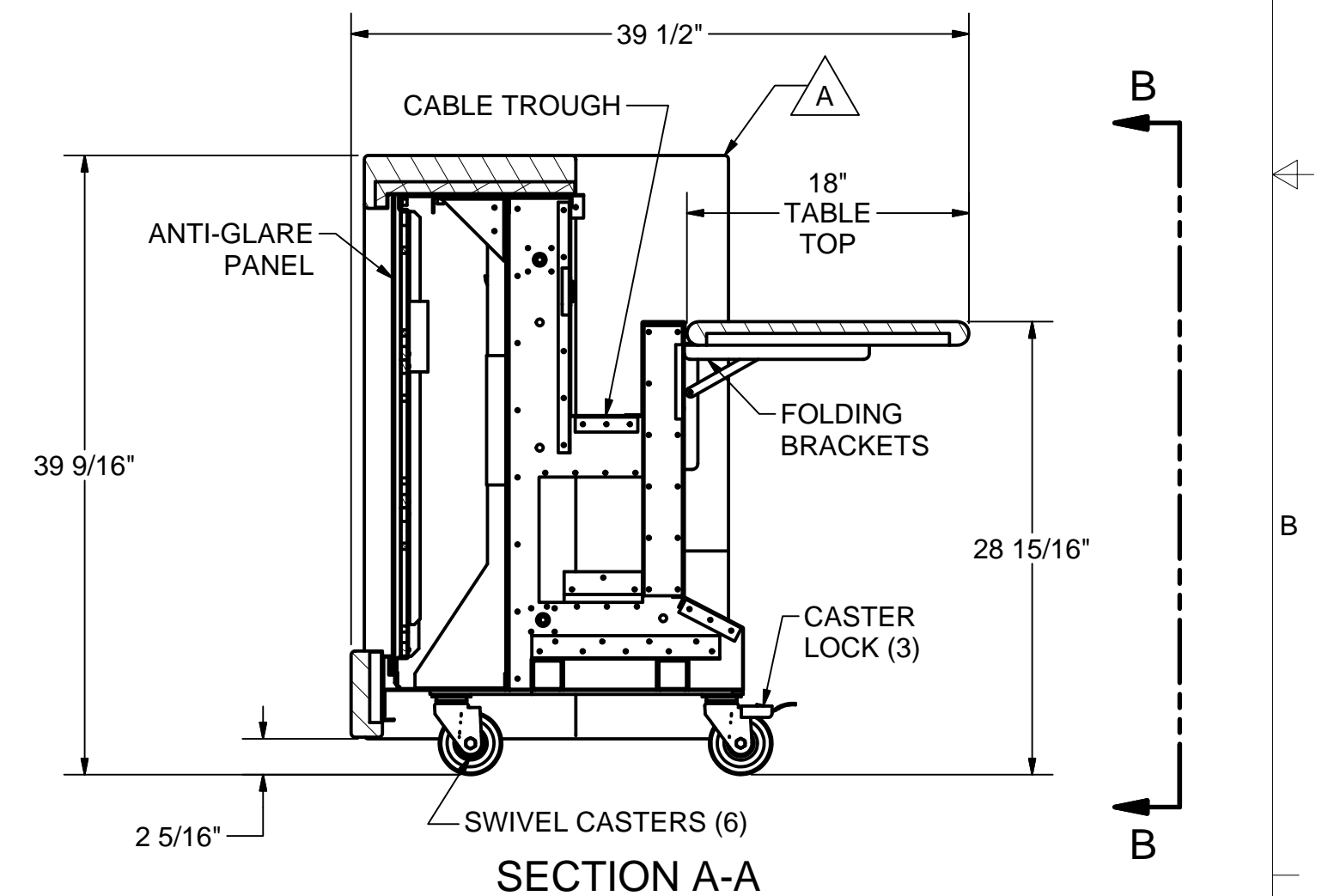
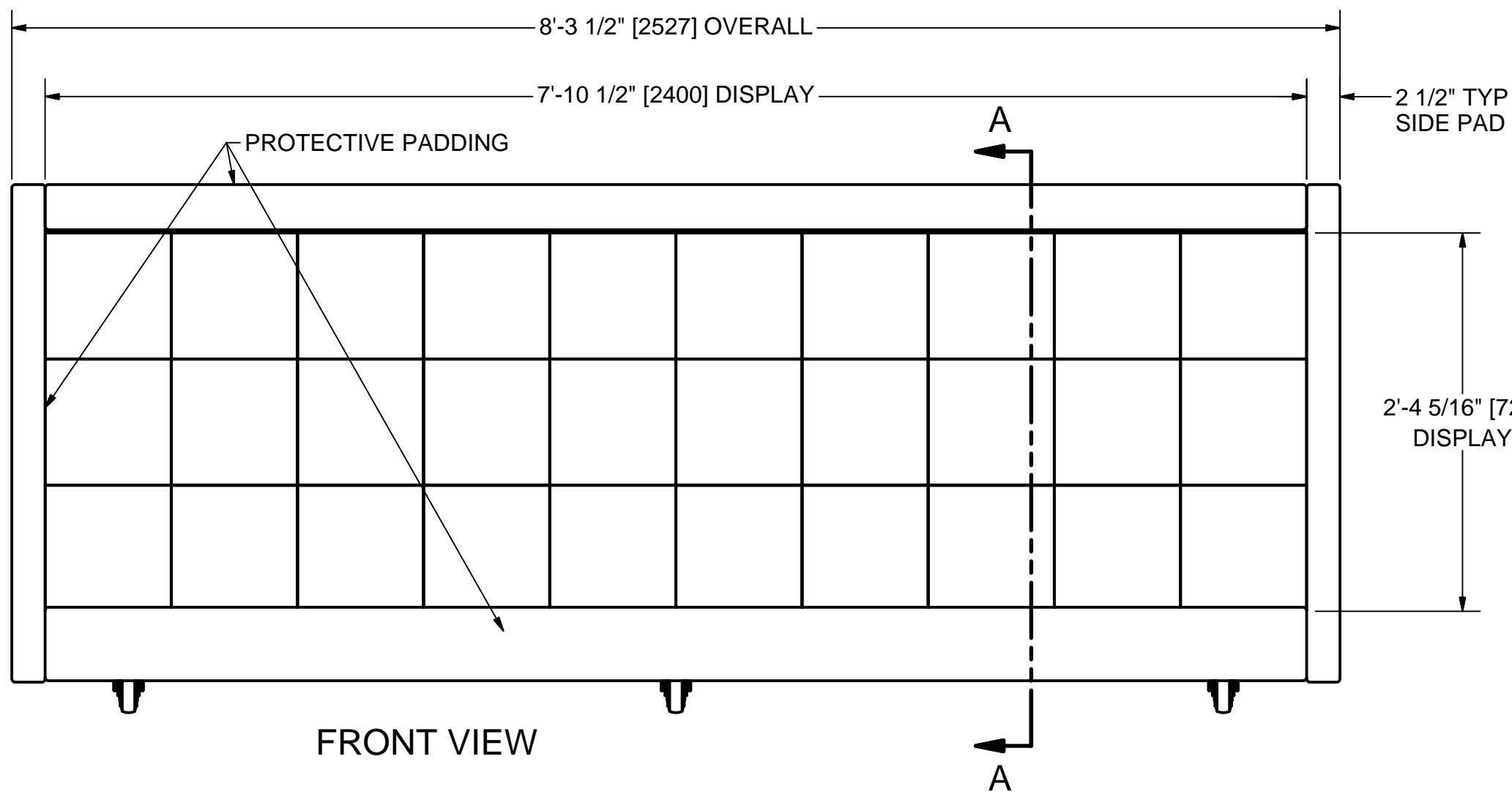
- **SEE ELECTRIC SUPPLY OPTIONS TO BE SELECTED BY CUSTOMER LISTED BELOW**
- 990\* WATTS PER CST-0804 SECTION, \*PLUS ADDITIONAL USER COMPONENTS
- \*EACH TABLE SUPPLIED WITH (2) 12 AMP, 120V POWER STRIPS, MOUNTED BACK SIDE ABOVE TABLE TOP.

**ESTIMATED WEIGHT**

- 470 LBS. PER SECTION

**GENERAL NOTES**

1. ALL DIMENSIONS +/-1/8" UNLESS OTHERWISE STATED.
2. POWER REQUIREMENTS ARE VALID FOR 90 DAYS AFTER THE ORIGINAL RELEASE OR BY THE MOST RECENT REVISION OF THE DRAWING.
3. SPECIFICATIONS SUBJECT TO CHANGE WITHOUT NOTICE
4. ALTERNATE DIMENSIONS SHOWN AS [XX] ARE MILLIMETERS



**SUPPLY POWER OPTIONS (CUSTOMER MUST SELECT)**

1. STANDARD #14-2060-01: 208Y/120 VAC, 60 Hz, 3 PHASE 30 AMP MAX PER CIRCUIT (L21-30 PLUG)
2. 120V/30A OPTION #14-2060-02: 120 VAC, 60 Hz SINGLE PHASE, 30 AMP MAX PER CIRCUIT (L5-30 PLUG, TWIST LOCK)
3. 120V/15A OPTION #14-2060-03: 120 VAC, 60 Hz SINGLE PHASE, 15 AMP MAX PER CIRCUIT (STD. GROUNDED WALL PLUG)

PROJECT NAME:		REF#:
MY SIGNATURE BELOW SIGNIFIES MY APPROVAL TO PROCEED WITH DESIGN WORK SPECIFIED HEREIN AND ACKNOWLEDGEMENT THAT I HAVE RECEIVED AND READ THE INSTALLATION INSTRUCTIONS CONTAINED IN DOCUMENT NO. 01-0500-02. CONSULT YOUR SALES ASSOCIATE IF YOU SHOULD HAVE ANY QUESTIONS OR REQUIRE ANY CHANGES TO THIS DOCUMENT		
SIGNATURE:		DATE:
PRINT NAME:		DATE:
DRAWN	8/30/2016	THIS DOCUMENT CONTAINS PROPRIETARY AND SPORTS INFORMATION. ANY DISCLOSURE, USE OR DUPLICATION OF THE DOCUMENT OR INFORMATION CONTAINED THEREIN FOR OTHER THAN THE SPECIFIC PURPOSE FOR WHICH IT WAS DISCLOSED IS EXPRESSLY PROHIBITED EXCEPT AS MAY BE OTHERWISE AGREED TO IN WRITING
CHECKED		
QA		
MFG		
APPROVED		
TITLE		COURTSIDE TABLE, MODEL #CST-0804, 4 MM, 180 X 600
SIZE	DWG NO	
C		01-0804-01-1
SCALE		1 OF 1

**FAIR-PLAY**

REV	DESCRIPTION	DATE	BY
A	UPDATE NOTES, & SECTION VIEW, BACK VIEW WAS TOP, ADDED POWER SUPPLY OPTIONS	8/22/17	DJH
OR	ORIGINAL RELEASE	9/6/16	DJH
REV	DESCRIPTION	DATE	BY

REVISION HISTORY