

CL-1451-4

SIZE: 3'-6" L X 1'-6" H X 4" D

**POWER: 120 VAC, 60 Hz., 1-PHASE
76 WATTS.**

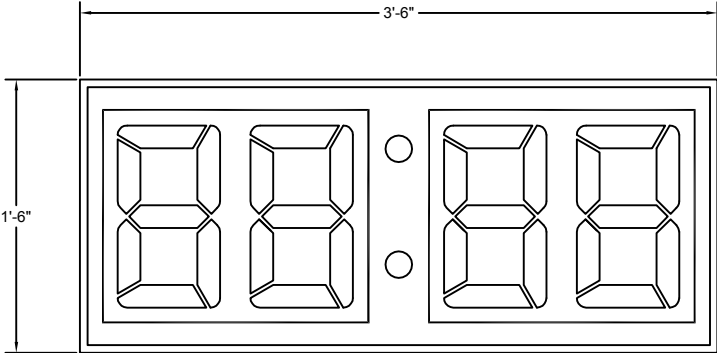
120 VAC AT THE CONTROL LOCATION.

**CONTROL CONSOLE: MP-70 SERIES CONTROLLER.
CONTROL CABLE: 22GA 2-WIRE SHIELDED.
(IF WIRELESS ORDERED, CABLE NOT REQ'D.)**

LEDs: AMBER LED.

ESTIMATED WEIGHT: 25 LBS.

**GENERAL NOTES:
* REFERENCE 01-0500-01 FOR INSTALLATION NOTES.
* POWER REQUIREMENTS ARE VALID FOR 90 DAYS AFTER THE ORIGINAL
RELEASE OR BY THE MOST RECENT REVISION OF THE DRAWING.**



CL-1451-4

FAIR-PLAY

6110 AVIATOR DRIVE
HAZELWOOD, MO 63042
fair-play.com

PROJECT NAME: REF. #:

THIS DOCUMENT CONTAINS TRANS-LUX PROPRIETARY INFORMATION. ANY DISCLOSURE, USE OR DUPLICATION OF THE DOCUMENT OR OF ANY INFORMATION CONTAINED THEREIN FOR OTHER THAN THE SPECIFIC PURPOSE FOR WHICH IT WAS DISCLOSED IS EXPRESSLY PROHIBITED, EXCEPT AS MAY BE OTHERWISE AGREED TO IN WRITING. COPYRIGHT 2017.

TITLE FACE VIEW FOR CL-1451-4	DRAWN BY BEW	B	MODEL: CL-1451-4
	DATE 11-09-07		DWG. NO. 01-1451-04-1
	SCALE 1/8"=1"		

B	ADDED POWER NOTE	03-29-12	BEW
A	GENERAL UPDATES	04-25-11	BEW
OR	ORIGINAL RELEASE	11-09-07	BEW
REV.#	CHANGE	DATE	BY