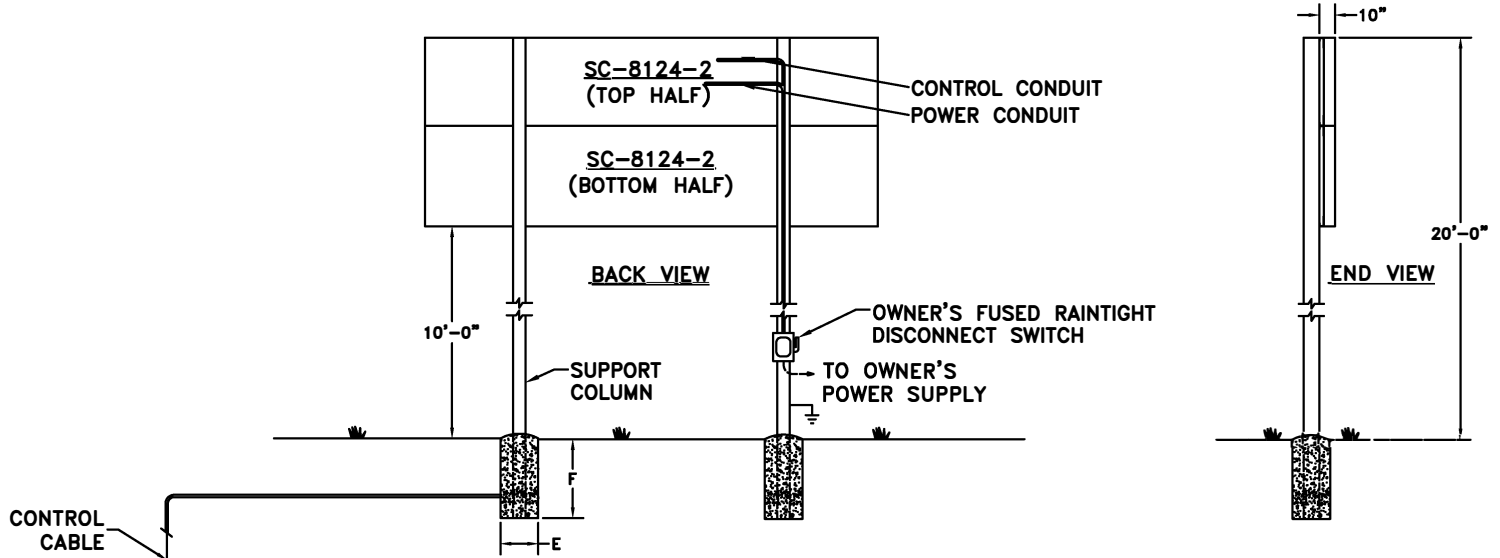


REV. #	CHANGE	DATE	BY
A	UPDATED CABINETS AND HANGER BRACKETS	10/31/08	DMR
B	UPDATED TO MEET IBC 2006 REQUIREMENTS	7/13/09	RMS

070706 BEW



SCBD CONTROL

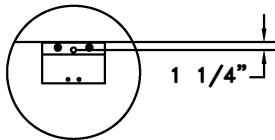
COLUMNS AND FOOTINGS SHOWN HERE, PROVIDED BY OTHERS, ARE SIZED TO COMPLY WITH IBC 2006 90 MPH EXPOSURE B REQUIREMENTS. THE MANUFACTURED PRODUCT EXCEEDS THE REQUIREMENTS OF IBC 2006 90 MPH EXPOSURE B AS MOUNTED HERE. DESIGN SHOULD BE ALTERED FOR DIFFERENT SOIL CONDITIONS, CLEARANCE, OR LOCAL CODES. FAIR-PLAY ASSUMES NO RESPONSIBILITIES FOR INSTALLATIONS DONE BY OTHERS.

CONTROL CABLES- SUGGEST 1/2" CONDUIT BE USED FOR BURIED CABLE IN AREAS WHERE IT MAY BE SUBJECT TO MECHANICAL DAMAGE. POWER WIRES SHOULD BE ROUTED IN SEPARATE CONDUIT FROM CONTROL CABLE.

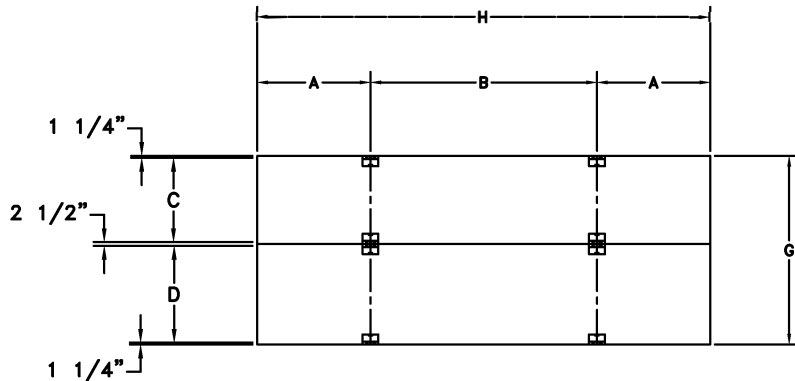
INSTALLATION DRAWING SHOULD BE REVIEWED AND APPROVED BY A LICENSED PROFESSIONAL ENGINEER IN YOUR AREA PRIOR TO CONSTRUCTION.

* REFERENCE 01-0500-01 FOR INSTALLATION NOTES.

**DETAIL A
(4X SCALE)**



STANDARD J HANGER BRACKET



**SC-8124-2
HANGER BRACKETS
BACK VIEW**

DIMENSIONS SC-8124-2

A	B	C	D	E	F	G	H	COLUMNS	POWER
6'-0"	12'-0"	4'-5 1/2"	5'-1 1/2"	3'-0"	10'-0"	10'-0"	24'-0"	W12 X 26	REFERENCE 01-8124-23-1