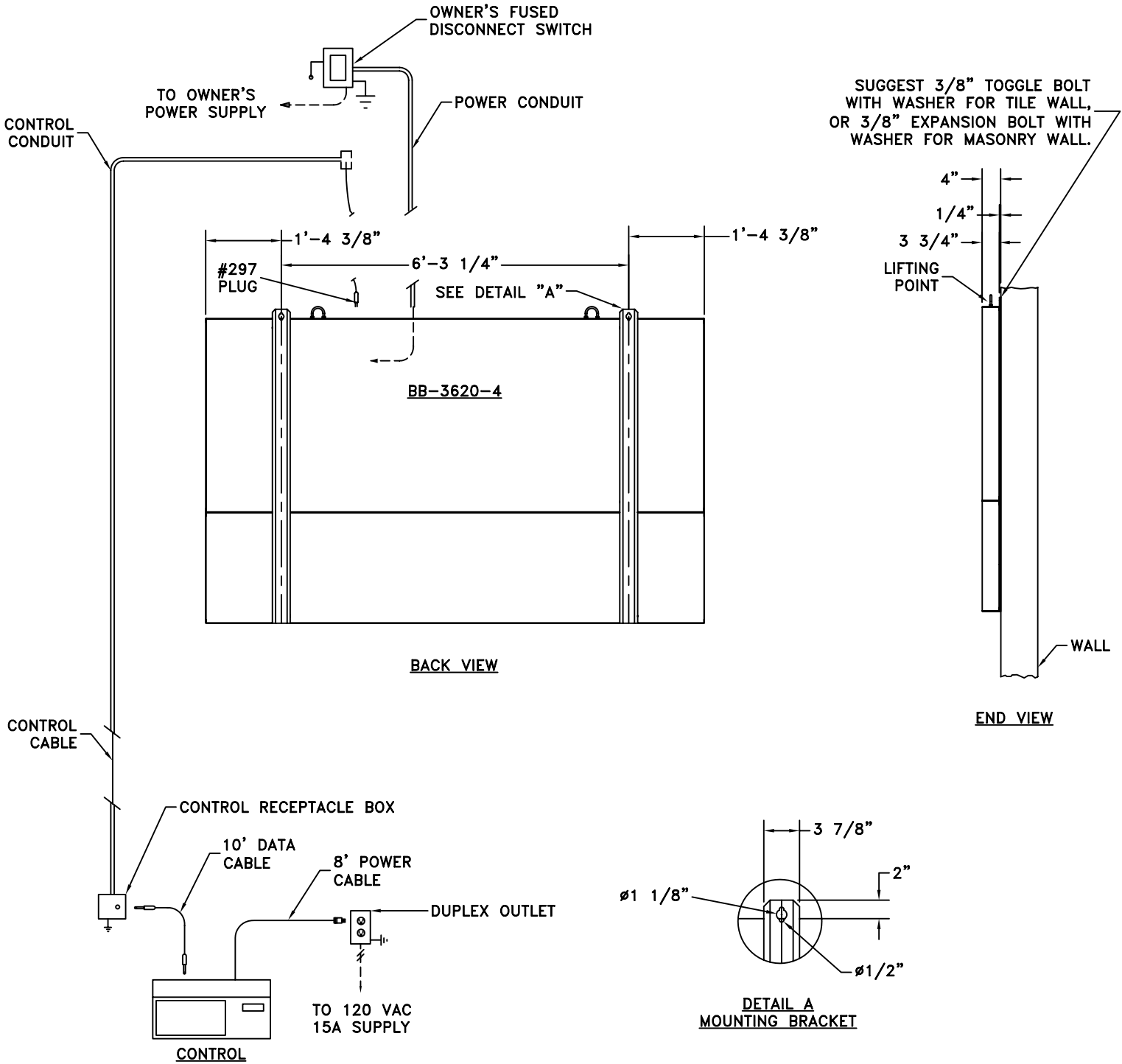


052410 RMS



NOTES:
 POWER WIRES SHOULD BE ROUTED IN SEPARATE CONDUIT FROM CONTROL CABLE. SUGGEST 1/2" CONDUIT FOR CONTROL.

VENTILATION- THE SCOREBOARD BACK INCORPORATES FANS FOR AIR CIRCULATION. INSTALL SCOREBOARD SO AIR FLOW IS NOT RESTRICTED.

ATTACHMENT TO WALL- USE 3/8" TOGGLE BOLT WITH WASHER FOR TILE WALL, OR 3/8" EXPANSION BOLT WITH WASHER FOR MASONRY WALL.

FAIR-PLAY ASSUMES NO RESPONSIBILITIES FOR INSTALLATIONS DONE BY OTHERS.

* REFERENCE 01-0500-01 FOR INSTALLATION NOTES.