

020303 BEW

OWNER'S FUSED
DISCONNECT SWITCH
1P-15A, 1PH.

TO OWNER'S
POWER SUPPLY

POWER CONDUIT

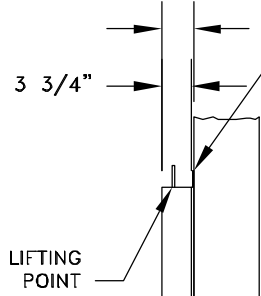
SUGGEST 3/8" TOGGLE BOLT
WITH WASHER FOR TILE WALL,
OR 3/8" EXPANSION BOLT
WITH WASHER FOR MASONRY WALL.

CONTROL
CONDUIT

#297 PLUG
#12B JACK

SEE DETAIL "A"

6'-3 1/4"



BB-1520-4

CONTROL
CABLE

BB-1520-4
BASKETBALL SCOREBOARD
BACK VIEW

WALL

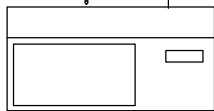
END VIEW

CONTROL
RECEPTACLE
BOX

10' DATA CABLE

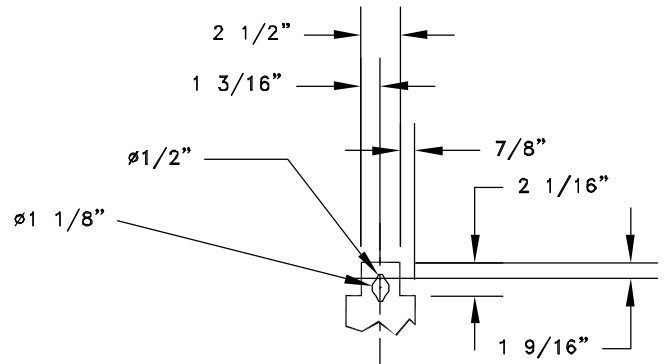
8' POWER CABLE

DUPLEX
OUTLET



CONTROL

TO 120 VAC
15A SUPPLY



DETAIL A
MOUNTING BRACKET

NOTE:
POWER WIRES SHOULD BE ROUTED IN SEPARATE CONDUIT FROM CONTROL CABLE.
SUGGEST 1/2" CONDUIT FOR POWER AND CONTROL.

VENTILATION- INSTALL SCOREBOARD SO AIRFLOW IS NOT RESTRICTED FROM BACK.