

INDOOR SIGN

**IMPORTANT SAFETY & OPERATING INSTRUCTIONS:**

1. SIGN POWER SUPPLY – THIS SIGN IS DESIGNED TO OPERATE FROM A 120 VAC SUPPLY. UNREASONABLE VOLTAGES CAN BE DAMAGING. (SEE LAMP LIFE – NOTE #4)
2. POWER WIRES SHOULD BE ROUTED IN SEPARATE CONDUIT FROM CONTROL CABLES.
3. LAMP LIFE – LAMP LIFE MAY BE REDUCED SIGNIFICANTLY WHEN CONDITIONS EXIST THAT CAUSE VIBRATION, KNOCKS, HIGH OPERATING VOLTAGE, OR HIGH OPERATING TEMPERATURES. INSTALL SIGN TO MINIMIZE THESE CONDITIONS.
4. VENTILATION: INSTALL PRODUCT SO THAT AIR FLOW IS NOT RESTRICTED. CUSTOMER'S STRUCTURE MUST ALLOW FOR THE FREE FLOW OF OUTSIDE AMBIENT AIR TO THE PRODUCT, WITHOUT RECIRCULATION OF AIR. WARRANTY WILL BE VOID IF COMPONENTS FAIL DUE TO AIR FLOW RESTRICTIONS.



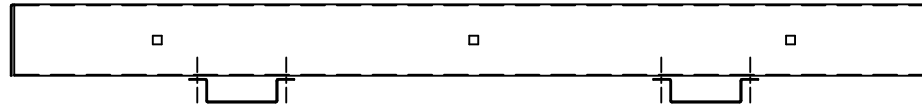
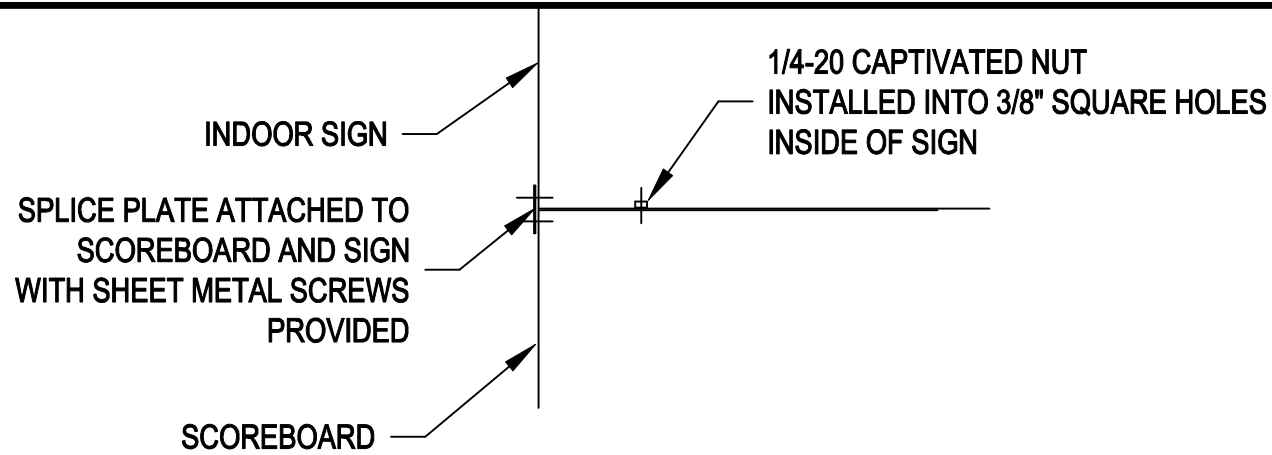
**A TRANS-LUX COMPANY**

1700 DELAWARE AVE.  
DES MOINES, IA 50317

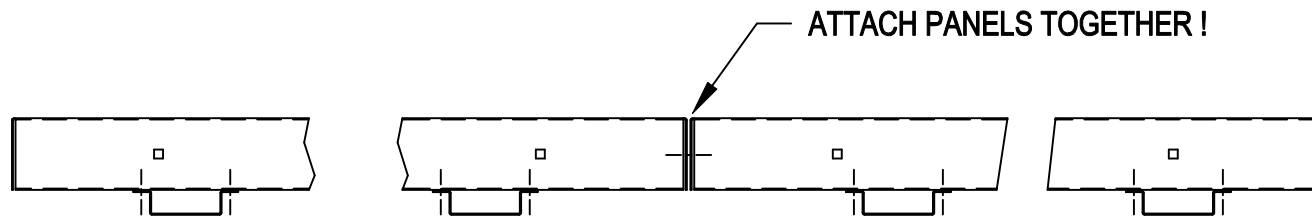
A	ADDED VENTILATION NOTES	09-14-06	BEW
OR	ORIGINAL RELEASE	03-20-00	BEW
REV.#	CHANGE	DATE	BY

THIS DOCUMENT CONTAINS FAIR-PLAY PROPRIETARY INFORMATION. ANY DISCLOSURE, USE OR DUPLICATION OF THE DOCUMENT OR OF ANY INFORMATION CONTAINED THEREIN FOR OTHER THAN THE SPECIFIC PURPOSE FOR WHICH IT WAS DISCLOSED IS EXPRESSLY PROHIBITED. EXCEPT AS MAY BE OTHERWISE AGREED TO IN WRITING. COPYRIGHT 2003.

TITLE	DRAWN BY	DATE	SCALE	MODEL:
ELECTRICAL INSTALLATION SCHEME FOR STANDARD INDOOR SIGNS	BEW	03-20-00	FULL	A
				DWG. NO. 01-0017-01



**SINGLE PANEL ASSEMBLY**  
TOP VIEW



**MULTIPLE PANEL ASSEMBLY**  
TOP VIEW

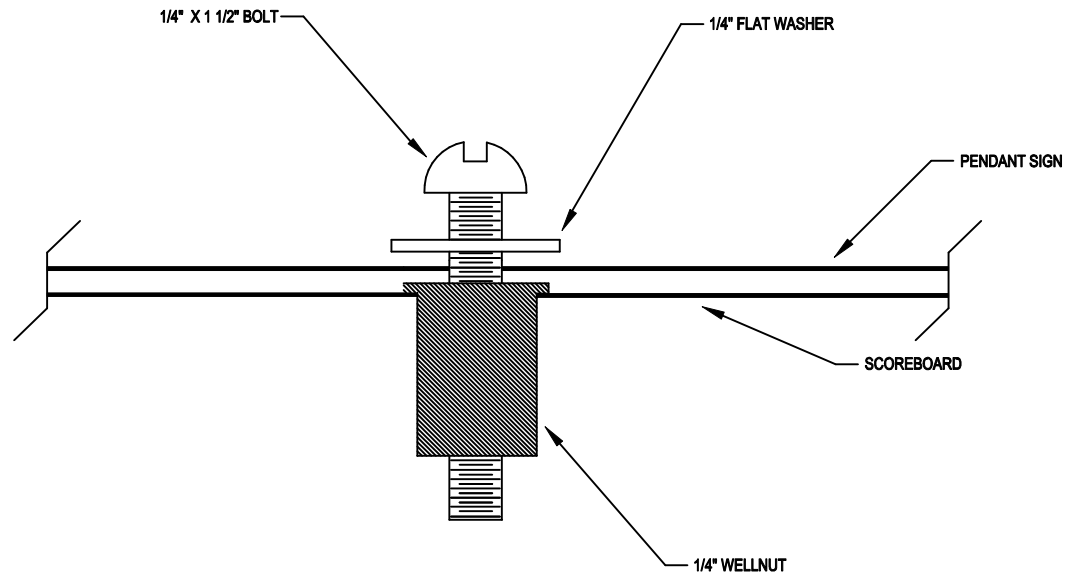
ATTACH SIGNS TO SCOREBOARD AND PANEL TO PANEL  
WITH 1/4" HARDWARE PROVIDED

**Fair-Play**  
A **TRANS-LUX** Company  
1700 DELAWARE AVE.  
DES MOINES, IA 50317

THIS DOCUMENT CONTAINS FAIR-PLAY PROPRIETARY INFORMATION. ANY DISCLOSURE, USE OR DUPLICATION OF THE DOCUMENT OR OF ANY INFORMATION CONTAINED THEREIN FOR OTHER THAN THE SPECIFIC PURPOSE FOR WHICH IT WAS DISCLOSED IS EXPRESSLY PROHIBITED, EXCEPT AS MAY BE OTHERWISE AGREED TO IN WRITING

TITLE INDOOR PENDANT SIGN ASSEMBLY	DRAWN BY DMS	MODEL: A PDI
	DATE 06/29/99	
	SCALE NONE	DWG. NO. 55-0000-01

ITEM	CHANGE	DATE	BY
------	--------	------	----



### WELLNUT DETAIL FOR PENDANT SIGNS

- 1.) INSERT WELLNUT INTO PRE-DRILLED HOLE IN SCOREBOARD CABINET.
- 2.) PLACE PENDANT SIGN ON SCOREBOARD & FASTEN USING 1/4" X 1 1/2" BOLT & FLAT WASHER PROVIDED BY FAIR-PLAY.

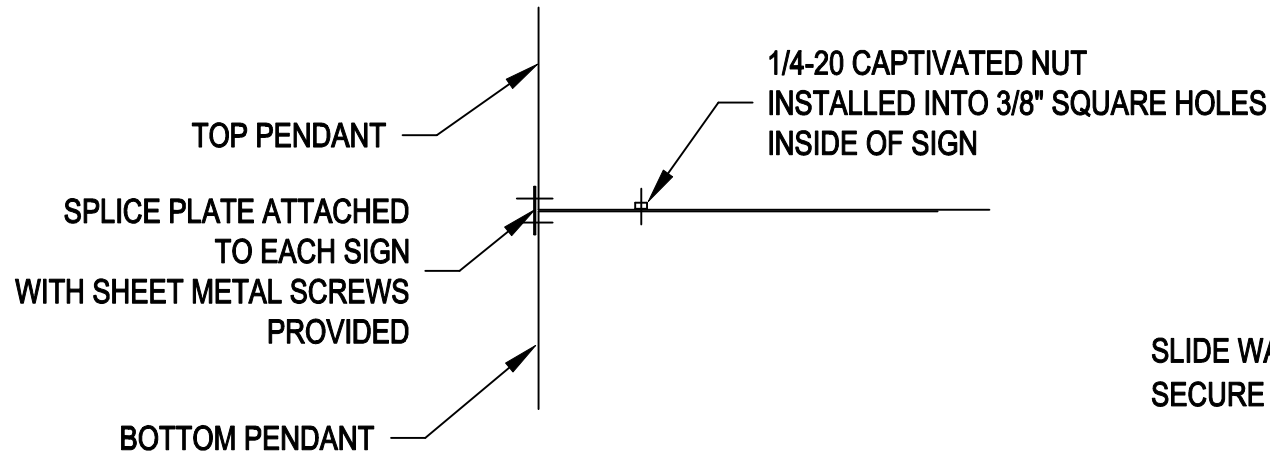


A **TRANS-LUX** Company  
 1700 DELAWARE AVE.  
 DES MOINES, IA 50317

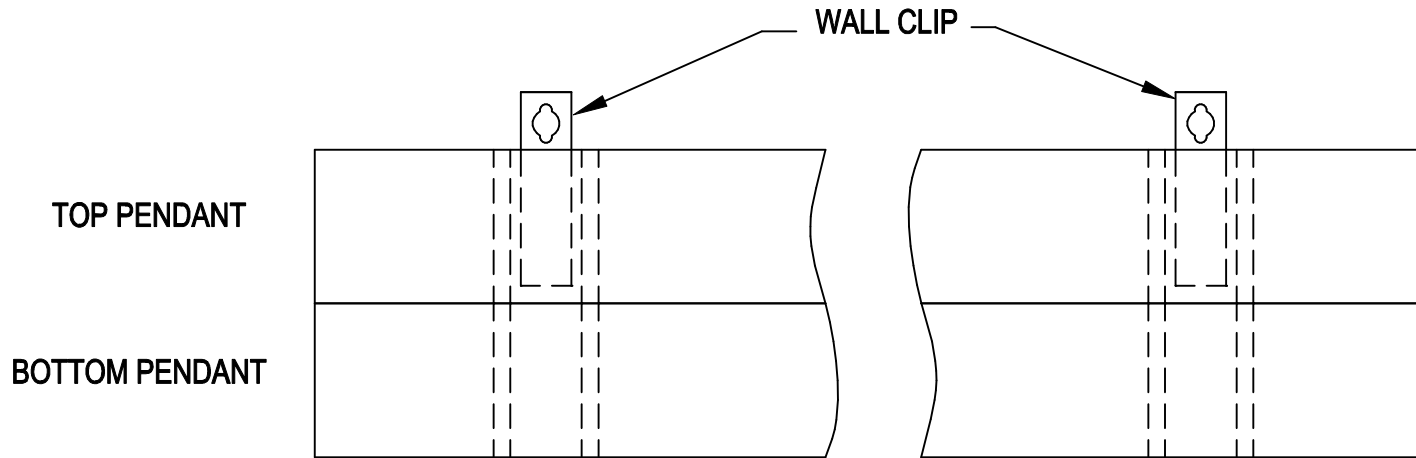
THIS DOCUMENT CONTAINS FAIR-PLAY PROPRIETARY INFORMATION. ANY DISCLOSURE, USE OR DUPLICATION OF THE DOCUMENT OR OF ANY INFORMATION CONTAINED THEREIN FOR OTHER THAN THE SPECIFIC PURPOSE FOR WHICH IT WAS DISCLOSED IS EXPRESSLY PROHIBITED, EXCEPT AS MAY BE OTHERWISE AGREED TO IN WRITING

TITLE WELL-NUT ASSEMBLY FOR PENDANT SIGNS	DRAWN BY BEW	A	MODEL:
	DATE 02-23-96		SN
	SCALE NONE	DWG. NO. H-5-G094-1	

ITEM	CHANGE	DATE	BY
------	--------	------	----



SLIDE WALL CLIP INTO PENDANT HANGER  
 SECURE WALL CLIP TO WALL



\* STACK NO MORE  
 THAN 3 PENDANTS  
 TOP OR BOTTOM

ATTACH SIGNS TO SCOREBOARD AND PANEL TO PANEL  
 WITH 1/4" HARDWARE PROVIDED

**Fair-Play**  
 A **TRANS-LUX** Company  
 1700 DELAWARE AVE.  
 DES MOINES, IA 50317

THIS DOCUMENT CONTAINS FAIR-PLAY PROPRIETARY INFORMATION. ANY DISCLOSURE, USE OR DUPLICATION OF THE DOCUMENT OR OF ANY INFORMATION CONTAINED THEREIN FOR OTHER THAN THE SPECIFIC PURPOSE FOR WHICH IT WAS DISCLOSED IS EXPRESSLY PROHIBITED, EXCEPT AS MAY BE OTHERWISE AGREED TO IN WRITING

TITLE	DRAWN BY KGW	MODEL: A
STACKING SCHEME INDOOR PENDANT SIGNS	DATE 10/30/00	PDI
	SCALE NONE	DWG. NO. 55-0000-02

ITEM	CHANGE	DATE	BY
------	--------	------	----









# *Fair-Play*

**A TRANS-LUX® COMPANY**

**TRANS-LUX MIDWEST CORPORATION  
d.b.a. Fair-Play Scoreboards**

## **LIMITED SCOREBOARD WARRANTY**

Fair-Play provides a limited five-year warranty when its permanently mounted scoreboards and scoreboard controllers are operated and maintained according to the owner's instructions furnished with the equipment. Such limited warranty is two years for portable scoreboards. This warranty covers all electronic components, including LEDs, for five or two years as applicable from the date of invoice that prove to be defective in material or workmanship. Our #161 and #655-type indoor lamps are warranted on a ten-year factory exchange basis from the date of invoice.

Warranted for one year are mechanical control panel switches, connectors, horns and visual goal indicators. Wireless control components are warranted for two years. Wireless control devices even if not defective may not function reliably in certain environments or otherwise due to outside causes beyond Seller's control, including but not limited to cell phones or portable computers. In the event it is determined a wireless device during the ninety (90) day period following shipment does not function in accordance with its specification without repeated errors or is otherwise consistently unreliable, and Seller determines repair or replacement thereof is not likely to improve performance, at Purchaser's request, upon return to Seller postage prepaid in like new condition within such time period, Seller's sole obligation shall be to refund the entire purchase price of such device. Thereafter Seller's sole obligation shall be to repair or replace, other non-wireless defective components for the balance of the warranty period without responsibility or liability for claims for unreliable performance not due to defects. Batteries, battery packs and battery recharging equipment are warranted for thirty (30) days, except for defects arising from misuse, abuse, negligence or other exclusions set forth below. In no event will Fair-Play have any obligation for any damage caused by defective batteries, battery packs and battery recharging equipment. Also warranted for 30 days are outdoor portable scoreboard carts.

Fair-Play's sole obligation during the applicable warranty period is to repair or replace any defective items. Defective assemblies or components are to be returned postage prepaid to Fair-Play's service center, after obtaining a return authorization number, for repair or replacement at no cost to the owner during the applicable warranty period. Replacement parts may be either new or like-new. Return shipping costs after repair will be paid by Seller except for overnight, express or special shipping costs which shall be paid by Purchaser. Excluded from this warranty are fuses, major components provided by other manufacturers including, but not limited to, computers, rotating signs, power distribution panels, disconnect switches and components of rear-illuminated or lighted signs. The other manufacturer's warranty will apply to such components. Also excluded from this warranty are electronic signs or message centers and related controls. These items are covered by their own specific warranty. The warranty will be suspended as to units for which the purchaser is in default of payment in accordance with the agreed Terms of Payment. In the event the purchaser remits the full amount due in immediately available funds on a unit for which the warranty was suspended, the warranty will be reinstated for the remaining balance of the original warranty period without allowance for the time period of the suspension. The warranty does not apply to units that have been stolen.

THIS WARRANTY IS IN LIEU OF ALL OTHER WARRANTIES OF SELLER, EXPRESS OR IMPLIED, AND, EXCEPT TO THE EXTENT HEREIN PROVIDED, SELLER DOES NOT MAKE ANY WARRANTY WHATSOEVER INCLUDING, WITHOUT LIMITATION, ANY WARRANTY OF MERCHANTABILITY OR FITNESS FOR ANY PARTICULAR USE OR PURPOSE.

Fair-Play shall not be liable for any incidental, special or consequential damages nor any other loss that may arise in connection with its warranted equipment or any claims under this warranty. (Individual states may have limitations on the length of implied warranties.)

This warranty does not cover shipping damages or problems which result from improper installation of your equipment. (Promptly inspect shipment for visible or concealed damages and report immediately to the delivering carrier.)

Under no circumstances shall this warranty apply if the warranted products have been subject to abuse, misuse, neglect, sabotage, acts of terrorists, negligence, accident, or any casualties or abnormal conditions, including without limitation fire, civil disorders, war, flood, lightning or acts of God. Nor does this warranty cover labor or damage resulting from, or problems caused by, any repair, alteration, modification, or adjustment of the warranted scoreboards or components not performed by Fair-Play.

This warranty extends only to the original end-user purchaser of the warranted products, and is not transferable. For information on extended warranties contact your Fair-Play dealer. In the event authorized Fair-Play dealers make extensions to or provide additional service for Fair-Play products, Fair-Play assumes no liability therefore other than the specific warranty set forth above in this Limited Warranty.

Trans-Lux Midwest Corporation

Fair-Play Scoreboards - A Division of Trans-Lux Midwest Corporation  
For Service contact the Trans-Lux Help Desk  
1700 Delaware Avenue, Des Moines, Iowa 50317  
Telephone: 800-462-2716 • Fax: (515) 263-7105  
Internet Address - [www.fair-play.com](http://www.fair-play.com)

Effective 3-23-07 © 2007, Trans-Lux Midwest, All rights reserved.