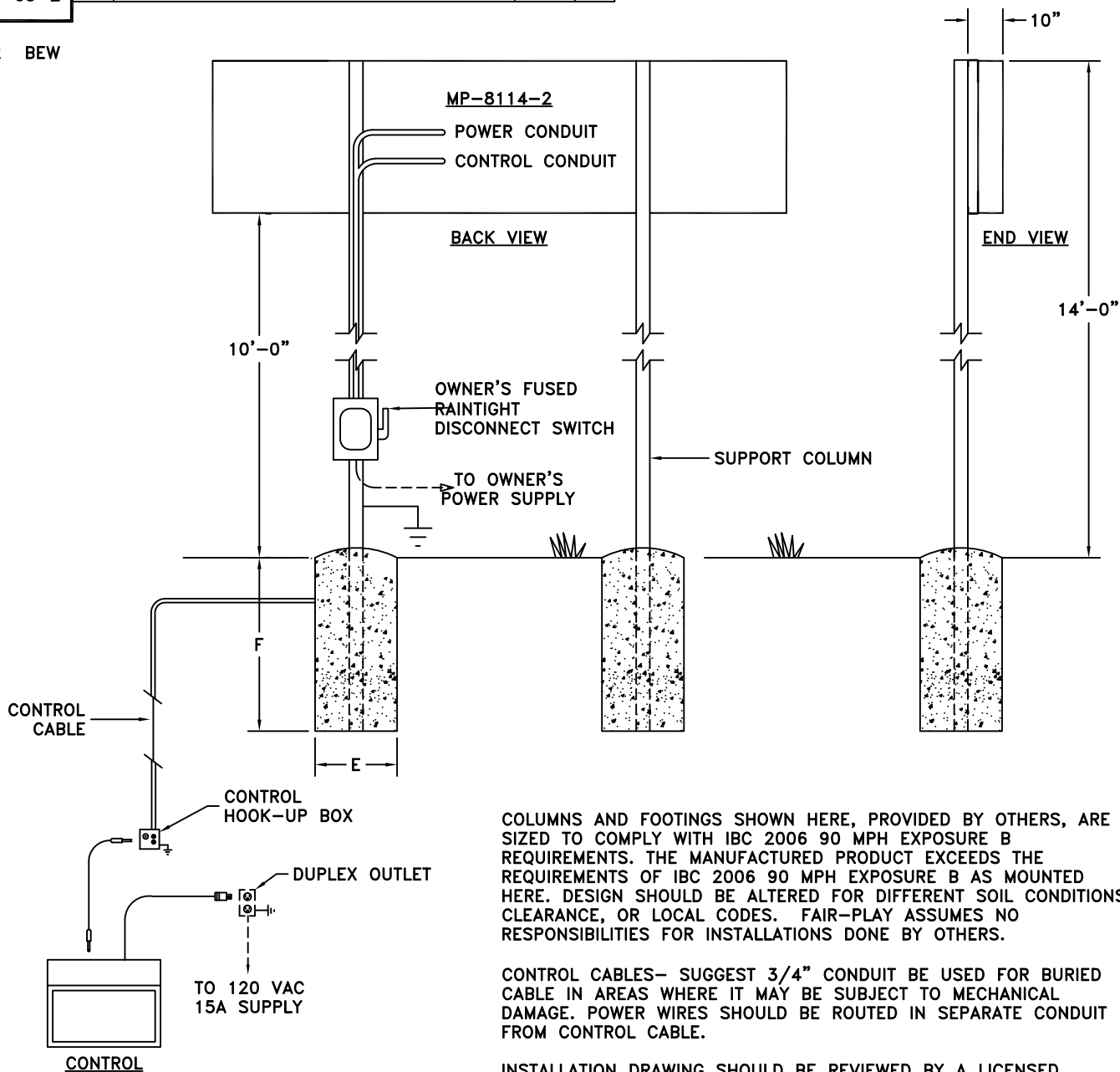


| REV.# | CHANGE | DATE | BY |
|-------|------------------------------------|----------|-----|
| A | CORRECTED HANGER SPACING AND NOTES | 04-14-09 | RMS |

071002 BEW



COLUMNS AND FOOTINGS SHOWN HERE, PROVIDED BY OTHERS, ARE SIZED TO COMPLY WITH IBC 2006 90 MPH EXPOSURE B REQUIREMENTS. THE MANUFACTURED PRODUCT EXCEEDS THE REQUIREMENTS OF IBC 2006 90 MPH EXPOSURE B AS MOUNTED HERE. DESIGN SHOULD BE ALTERED FOR DIFFERENT SOIL CONDITIONS, CLEARANCE, OR LOCAL CODES. FAIR-PLAY ASSUMES NO RESPONSIBILITIES FOR INSTALLATIONS DONE BY OTHERS.

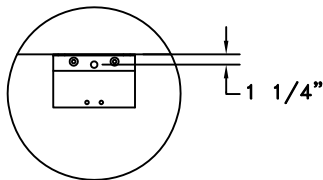
CONTROL CABLES- SUGGEST 3/4" CONDUIT BE USED FOR BURIED CABLE IN AREAS WHERE IT MAY BE SUBJECT TO MECHANICAL DAMAGE. POWER WIRES SHOULD BE ROUTED IN SEPARATE CONDUIT FROM CONTROL CABLE.

INSTALLATION DRAWING SHOULD BE REVIEWED BY A LICENSED PROFESSIONAL ENGINEER IN YOUR AREA PRIOR TO CONSTRUCTION.

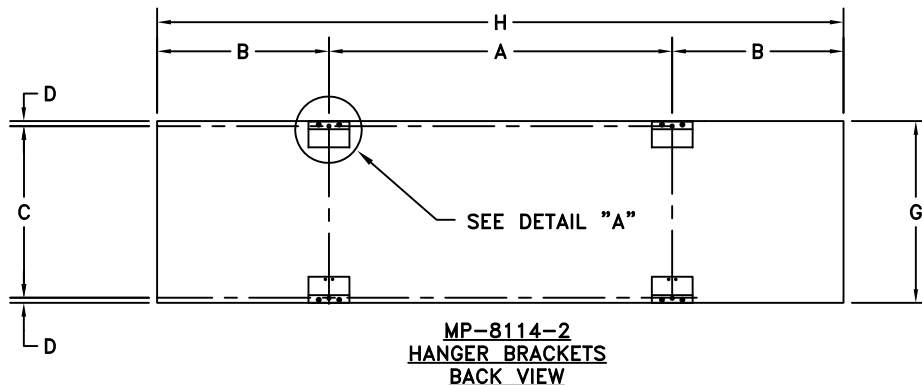
* REFERENCE 01-0500-01 INSTALLATIONS NOTES.

NOTE: IF WIRELESS IS ORDERED, CABLE & CONDUIT NOT REQ'D.

DETAIL A
(2X SCALE)



STANDARD J HANGER BRACKET



DIMENSIONS MP-8114-2

| A | B | C | D | E | F | G | H | COLUMNS | POWER |
|-------|-------|-----------|--------|-------|-------|-------|--------|---------|--------------------------|
| 7'-0" | 3'-6" | 3'-9 1/2" | 1 1/4" | 2'-6" | 6'-0" | 4'-0" | 14'-0" | W8 X 15 | REFER TO 01-8114-03-1 |