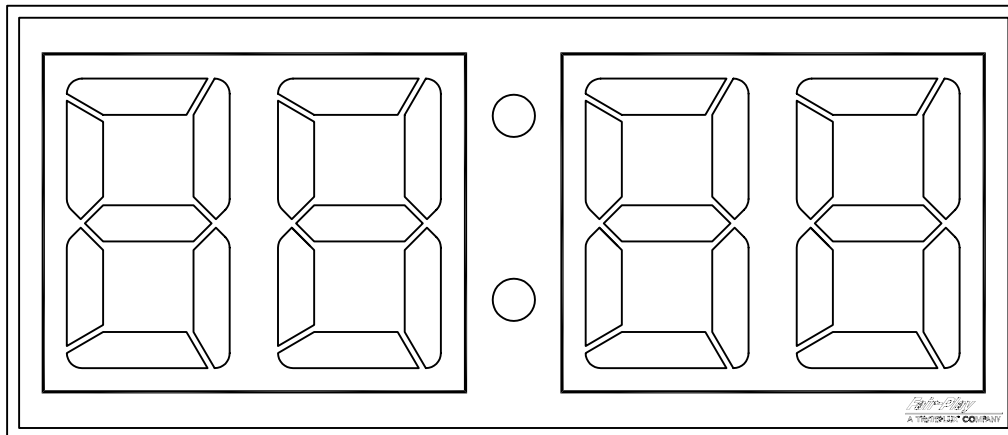


Fair-Play

A TRANS·LUX® COMPANY



CL-1451-4

CL-1451-4

SIZE: 3'-6"L X 1'-6"H X 4"D

POWER: 120 VAC, 60 Hz., 1-PHASE
1 AMP.

120 VAC AT THE CONTROL LOCATION.

CONTROL CONSOLE: MP-70.

CONTROL CABLE: (1) TWO CONDUCTOR SHIELDED.
(IF WIRELESS ORDERED, CABLE NOT REQ'D.)

LED'S: AMBER LED.

ESTIMATED WEIGHT: 25 LBS.

* REFERENCE 01-0500-01 FOR INSTALLATION NOTES.

WEB ADDRESS
FAIR-PLAY SCOREBOARDS
FACTORY ADDRESS
PHONE

fair-play.com
PO BOX 1847
1700 DELAWARE AVE.
515-265-5305

DES MOINES, IOWA 50305-187
DES MOINES, IOWA 50317-2999

110907 BEW

01-1451-04-1